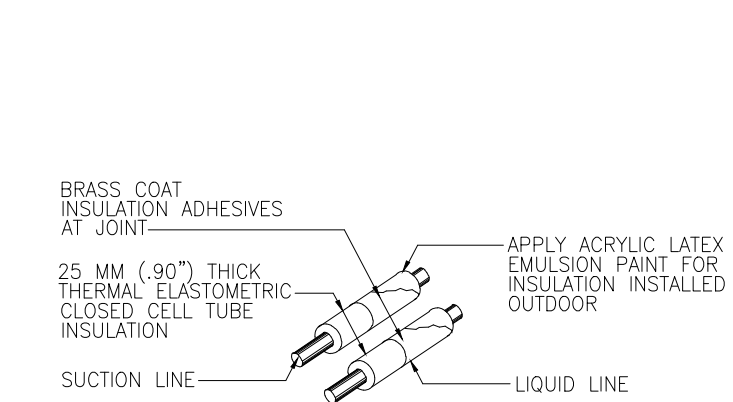
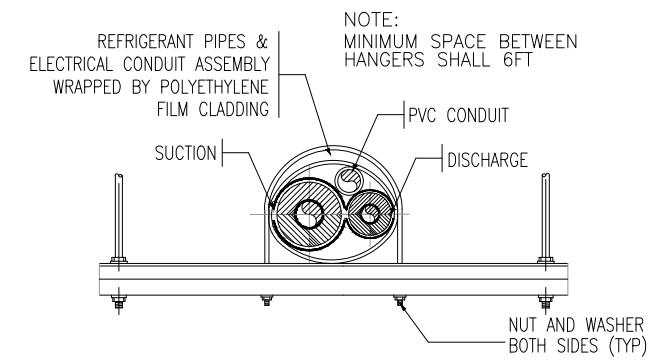


ISOMETRIC DETAIL OF FCU/ACCU UNIT  
N T S

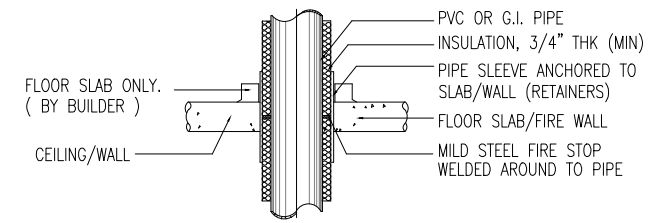
ACCU WALL MOUNTED BRACKET DETAILS  
N T S



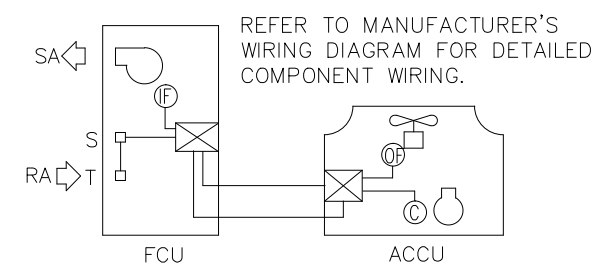
REFRIGERANT PIPE DETAIL  
N T S



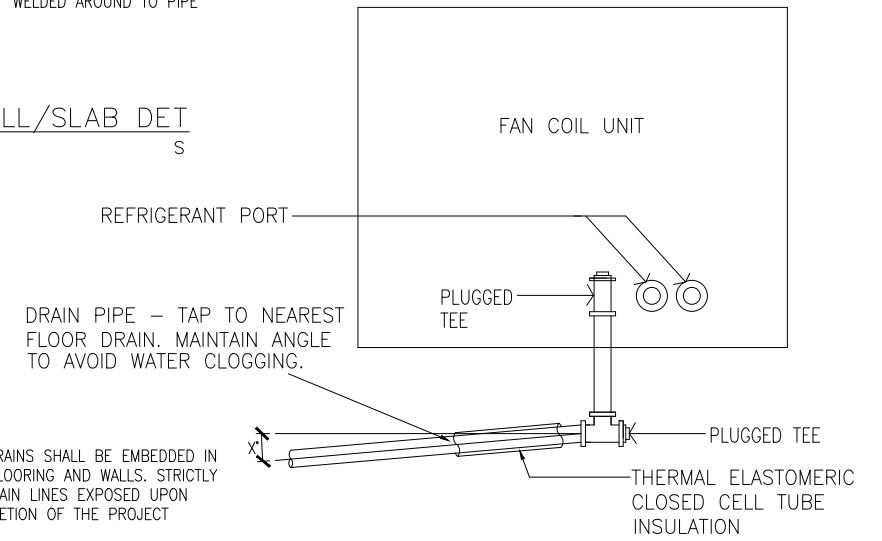
REFRIGERANT HANGER DETAIL  
N T S



REFRIGERANT PIPE THRU WALL/SLAB DET  
N T S



FCU/ACCU CONTROL WIRING DIAGRAM  
N T S



CONDENSATE DRAIN P-TRAP DETAIL  
N T S

<p><b>SOCIAL SECURITY SYSTEM</b></p> <p>ENGINEERING AND FACILITIES MANAGEMENT DEPARTMENT</p>	PROJECT TITLE:	RECOMMENDING APPROVAL:	APPROVED BY:	APPROVED AS USER/OWNER:	APPROVED FOR IMPLEMENTATION:	ENGINEERING TEAM	SHEET CONTENT:	<p>ALL DRAWINGS MUST BE VERIFIED ON SITE BY THE CONTRACTOR. ALL DISCREPANCIES SHOULD BE REPORTED IMMEDIATELY TO THE ARCHITECT AND PROJECT MANAGERS.</p> <p>CONTRACTORS ARE TO PREPARE AND SUBMIT SHOP DRAWINGS TO THE ARCHITECT PRIOR TO COMMENCEMENT OF WORKS.</p>	SHEET NO. <b>M-02</b>
	<p><b>PROPOSED RELOCATION OF SSS PASAY - ROXAS BRANCH</b></p>	<p><b>STEPHEN P. YAP</b> ACTING HEAD - EFMD</p>	<p><b>HYDEE R. RAQUID</b> ACTING HEAD - GSD</p>	<p><b>MARIA RITA S. AGUJA</b> CONCURRENT ACTING HEAD NCR OPERATIONS GROUP</p>	<p><b>JOHNSY L. MANGUNDAYAO</b> ACTING HEAD - ADMINISTRATION GROUP</p>	<p>DESIGNED &amp; DRAWN BY: Antonio V. Trinos, Jr - Sr. Engr, EMT-1</p> <p>REVIEWED &amp; CHECKED BY: George N. Carreon - SSO V, EMT - 1</p>	<p>EQUIPMENT DETAILS INSTALLATION DETAILS</p>		