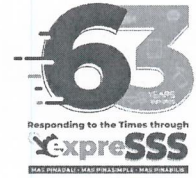




Republic of the Philippines
SOCIAL SECURITY SYSTEM
OFFICE OF THE VICE PRESIDENT
Mezzanine Level, SSS, Kumintang Ilaya, Batangas City
Tel.:(043)723-0766 Trunkline:(02)920-6401 loc. 4041



Project : **SUPPLY, DELIVERY AND INSTALLATION
OF COUNTER BARRIERS FOR SSS CALAPAN**

Location : **ROXAS DRIVE, CALAPAN CITY, ORIENTAL MINDORO**

Subject : **TERMS OF REFERENCE / SCOPE OF WORKS**

GENERAL PARAGRAPHS:

- I. Work Included: The work contemplated under this contract shall consist of furnishing all materials, labor, tools and equipment, including satisfactory performance of all work necessary for the complete execution of all the work as shown on the plans, specifications and other contract documents.
- II. Site Inspection: Examine the site premises and all conditions apparent and visible therein. Consider all such conditions that may affect work. Measure every existing work/ structure on site. **Verify all given dimensions and deviations.** It shall be understood that the work covers all surfaces regardless of measurements made.
- III. Performance of Work: All works shall be performed in accordance with these General Paragraphs and all stated in the scope of works.
- IV. Contract Completion Time: The Contractor shall complete all work and cleanup within **thirty (30) calendar days** after award of contract. Any work which would entail the inconvenience of the transacting SSS members and/or employees should be done either after office hours or during weekends (with proper working permits).
- V. Dumping: All trash and rubbish generated from the project shall be discarded off-site in an approved and lawful manner. Unless otherwise stated, all material scheduled for removal or disposal becomes the property of the Contractor.
- VI. Workmanship: All works shall be performed by skilled glass installers that are regularly engaged in work to be performed. All works shall be crafted in a professional manner. Any deficiencies shall be corrected by the Contractor at no additional cost to the owner. All workers should wear Contractor's uniform for easy identification of Security Guards on duty.

Conforme by:




- VII. Products: All materials shall be of best quality for purpose intended.
- VIII. Warranty: Contractor warrants the security and stability of the **framing installation for one (1) year** from date of acceptance and agrees to do repair works free of charge should the installation exhibit signs of failure.
- IX. Protection of Work and Property: Provide adequate protection on the existing structures, equipment, furniture and other areas not affected by the work specified.
- X. Scope of Works:
- A. Verification of all counter dimensions to account for any discrepancies
 - B. Fabrication of twenty-two (22) sets 6mm thk. ordinary clear glass panels as per attached drawings
 - C. Anchorage of bronze aluminum frames (profile subject to Architect's approval) onto the transaction counters
 - D. Installation of glass panels and inspection of their proper and secure attachments


Prepared by:


DANA MONICA D. ENOLVA
Building Administrator
Luzon South Division 2

Reviewed by:

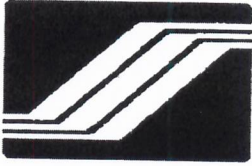

IMELDA G. FAMILARAN
Branch Head
SSS Calapan

Approved by:


FRANCISCO P.L. LESCANO
Acting Head
Luzon South Division 2

Conforme by:

*Signature Over Printed Name
of Company's Representative*



Republic of the Philippines
SOCIAL SECURITY SYSTEM
Office of the Vice-President, Luzon South Division 2
Mezzanine Level, SSS Building, Kumintang Ilaya, Batangas City
Tel. No. (043) 723-3874




DETAILED COST ESTIMATE

PROJECT : SUPPLY, DELIVERY AND INSTALLATION OF COUNTER BARRIERS FOR SSS CALAPAN

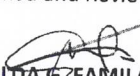
LOCATION : ROXAS DRIVE, CALAPAN CITY, ORIENTAL MINDORO

ITEM	DESCRIPTION	QTY	UNIT	UNIT PRICE	TOTAL COST
1	6mm thk. ordinary clear glass S/P 80 cm (height) X varying lengths (kindly refer to attached drawings)	22	SET	2,500.00	55,000.00
2	¼" X ½" X 8ft bronze aluminum channel	21	PIECE	700.00	14,700.00
3	Silicone sealant	14	TUBE	170.00	2,380.00
4	¼" X 1" wood screw	168	PIECE	1.00	168.00
5	Installation charge	1	LOT	20,000.00	20,000.00
GRAND TOTAL					92,248.00


Prepared by:


DANA MONICA D. ENOLVA
Building Administrator
Luzon South Division 2

Checked and Reviewed by:


IMELDA G. FAMILARAN
Branch Head
SSS Calapan

Approved by:


FRANCISCO P.L. LESCANO
Acting Head
Luzon South Division 2



Republic of the Philippines
SOCIAL SECURITY SYSTEM
Office of the Vice-President, Luzon South Division 2
Mezzanine Level, SSS Building, Kumintang Ilaya, Batangas City
Tel. No. (043) 723-3874



BILL OF QUANTITIES

PROJECT : SUPPLY, DELIVERY AND INSTALLATION OF COUNTER BARRIERS FOR SSS CALAPAN

LOCATION : ROXAS DRIVE, CALAPAN CITY, ORIENTAL MINDORO

ITEM	DESCRIPTION	QTY	UNIT	UNIT PRICE	TOTAL COST
1	6mm thk. ordinary clear glass S/P 80 cm (height) X varying lengths (kindly refer to attached drawings)	22	SET		
2	¼" X ½" X 8ft bronze aluminum channel	21	PIECE		
3	Silicone sealant	14	TUBE		
4	½" X 1" wood screw	168	PIECE		
5	Installation charge	1	LOT		
GRAND TOTAL					

Submitted by:

(Name of Bidder/Company Name)

Prepared by:

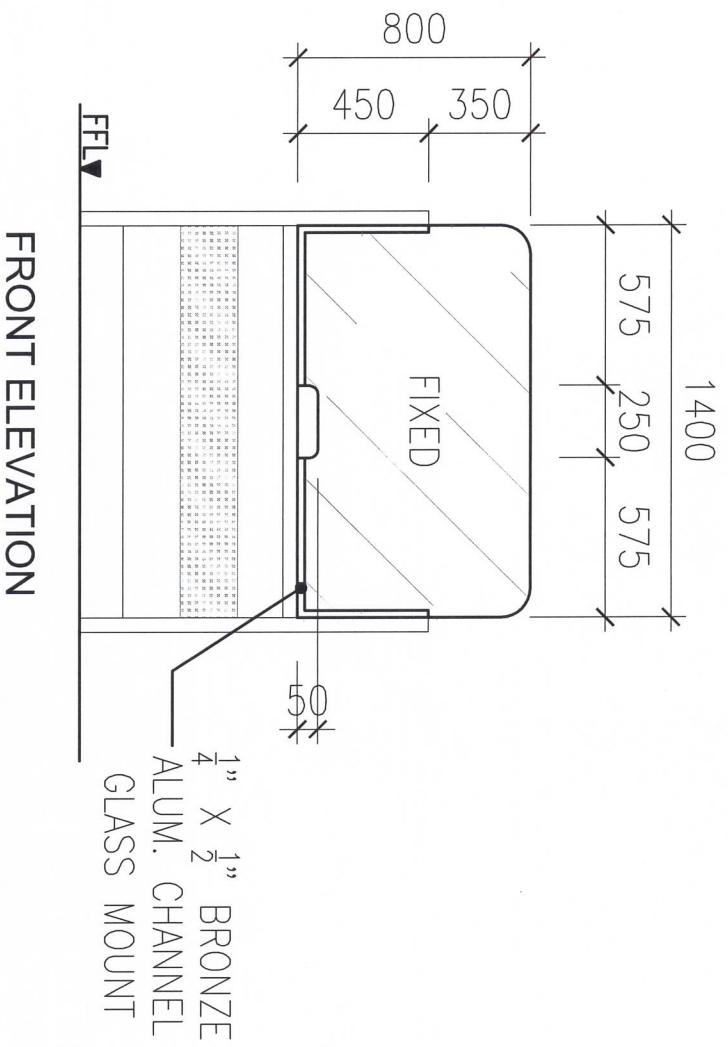
(Company Representative - Signature over Printed Name)

Address:

Contact No.:

Date:

5 SETS SEMI-FRAMED S/P
6MM THK. ORDINARY CLEAR GLASS



A MSS COUNTERS & M.O.D. WORKSTATION
A-01 SCALE 1 : 25M



SOCIAL SECURITY SYSTEM

PROJECT TITLE:
PROPOSED GLASS BARRIERS FOR SSS CALAPAN

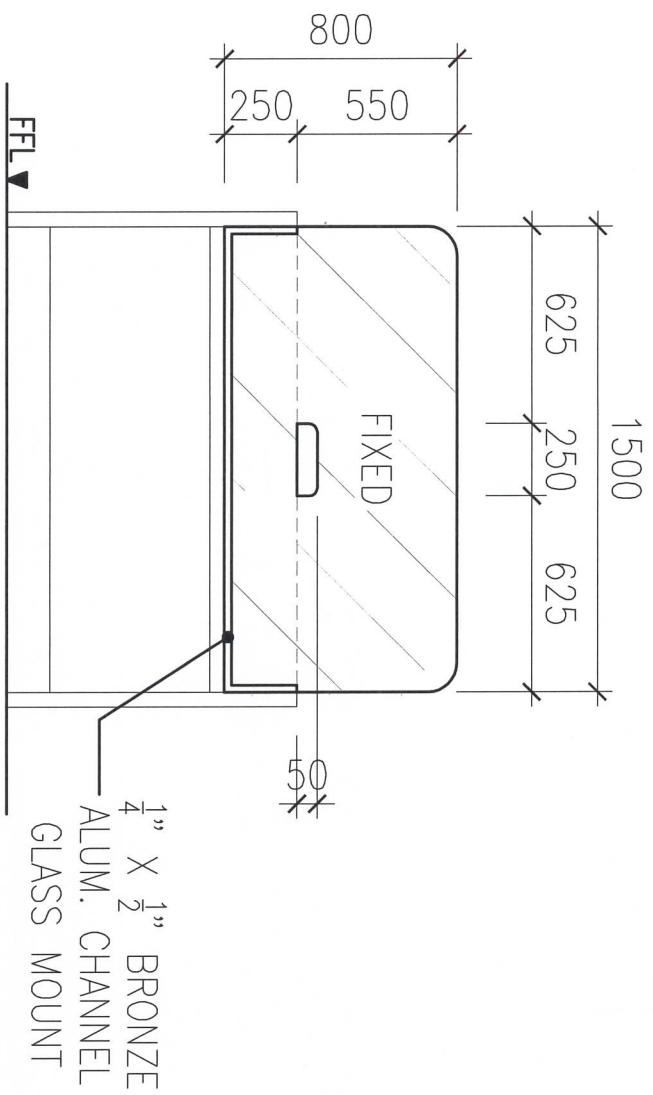
PREPARED BY:
DAMA MONICA D. ENOLVA, IAP
BUILDING ADMINISTRATOR, LUZON SOUTH DIV. 2

CHECKED AND REVIEWED BY:
INELDA G. FAMILARAN
BRANCH HEAD, SSS CALAPAN

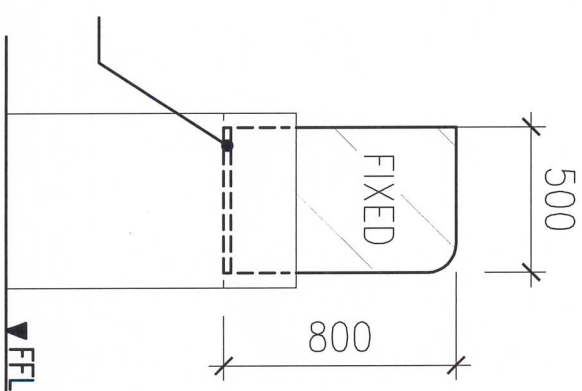
APPROVED BY:
FRANCISCO P. LESCANO
ACTING HEAD, LUZON SOUTH DIVISION 2

SHEET NO.:
A-1

1 SET SEMI-FRAMED S/P
6MM THK. ORDINARY CLEAR GLASS



REAR ELEVATION



RIGHT SIDE ELEVATION

A
M.O.D. HEAD WORKSTATION
SCALE 1 : 25M



SOCIAL SECURITY SYSTEM

PROJECT TITLE:

PROPOSED GLASS BARRIERS FOR SSS CALAPAN

PREPARED BY:

DANA MONICA D. ENDOVA, IAP
BUILDING ADMINISTRATOR, LUZON SOUTH DIV. 2

CHECKED AND REVIEWED BY:

IMELDA G. FAMILARAN
BRANCH HEAD, SSS CALAPAN

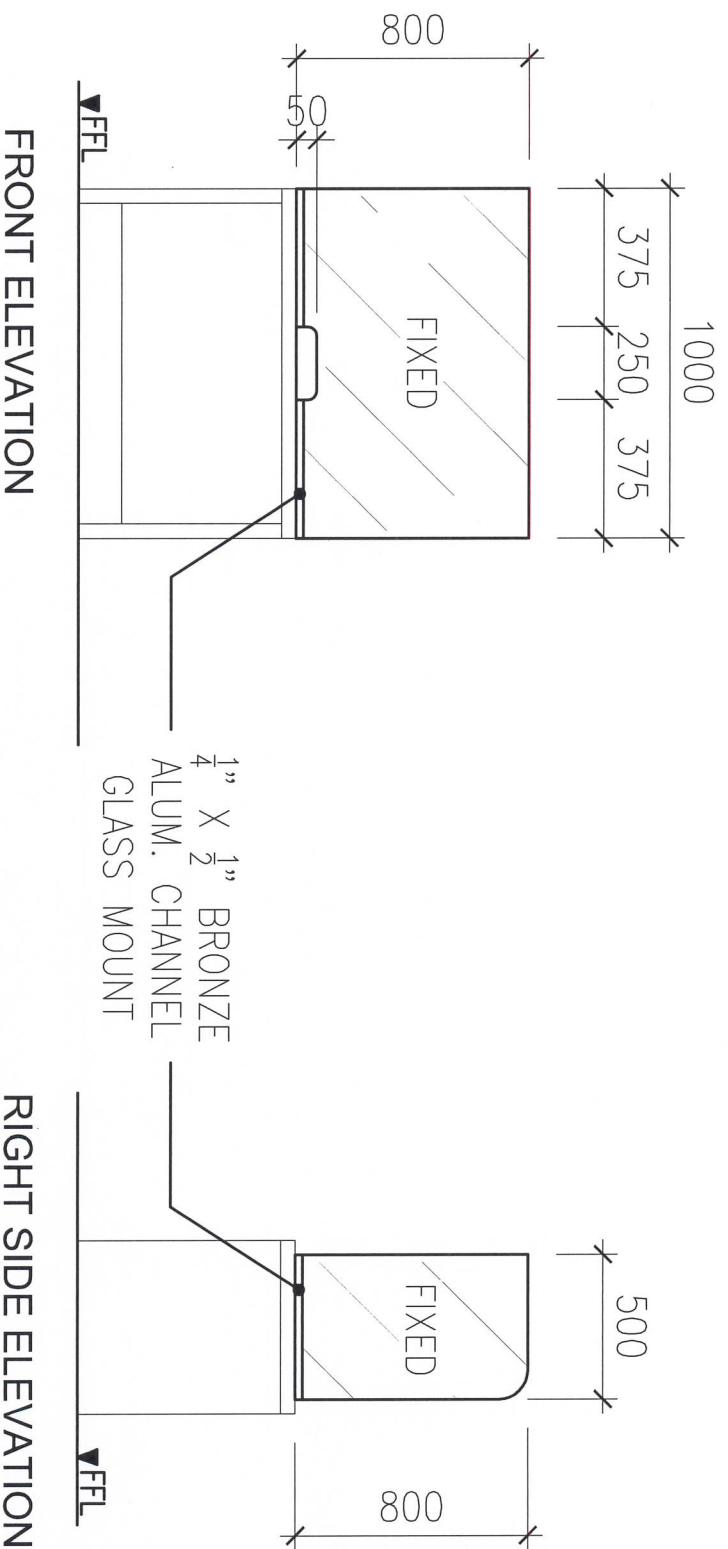
APPROVED BY:

FRANCISCO F. LESCANO
ACTING HEAD, LUZON SOUTH DIVISION 2

SHEET NO.:

A-2

1 SET SEMI-FRAMED S/P
6MM THK. ORDINARY CLEAR GLASS



A
AMS COUNTER 1
SCALE 1 : 25M



SOCIAL SECURITY SYSTEM

PROJECT TITLE:

PROPOSED GLASS BARRIERS FOR SSS CALAPAN

PREPARED BY:

DANA MOKICA D. ENOLVAJAP
BUILDING ADMINISTRATOR, LUZON SOUTH DIV. 2

CHECKED AND REVIEWED BY:

IMEIDA G. FAMILARAN
BRANCH HEAD, SSS CALAPAN

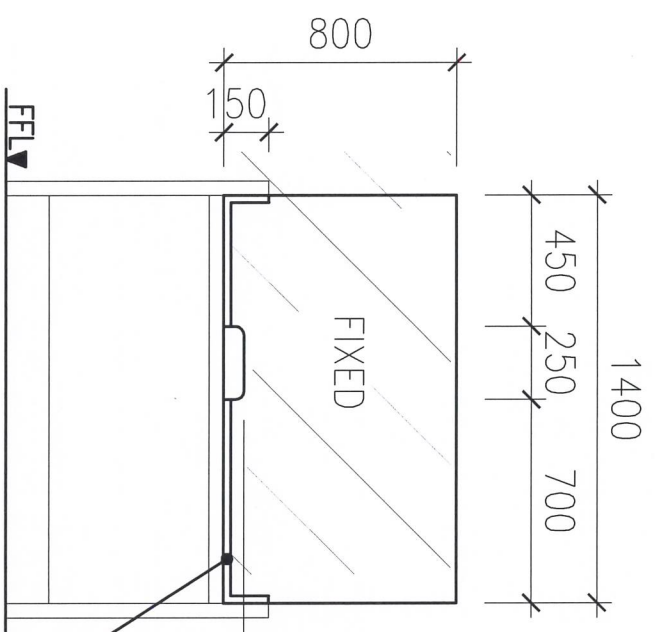
APPROVED BY:

FRANCISCO F.L. LESCANO
ACTING HEAD, LUZON SOUTH DIVISION 2

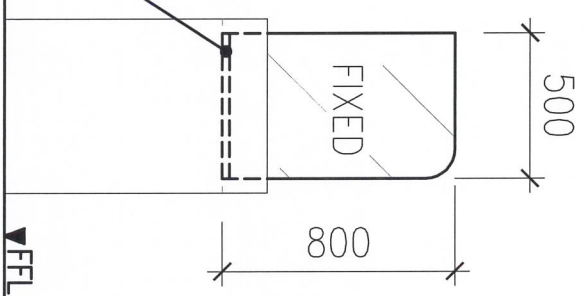
SHEET NO.:

A-3

2 SETS SEMI-FRAMED S/P
6MM THK. ORDINARY CLEAR GLASS



FRONT ELEVATION

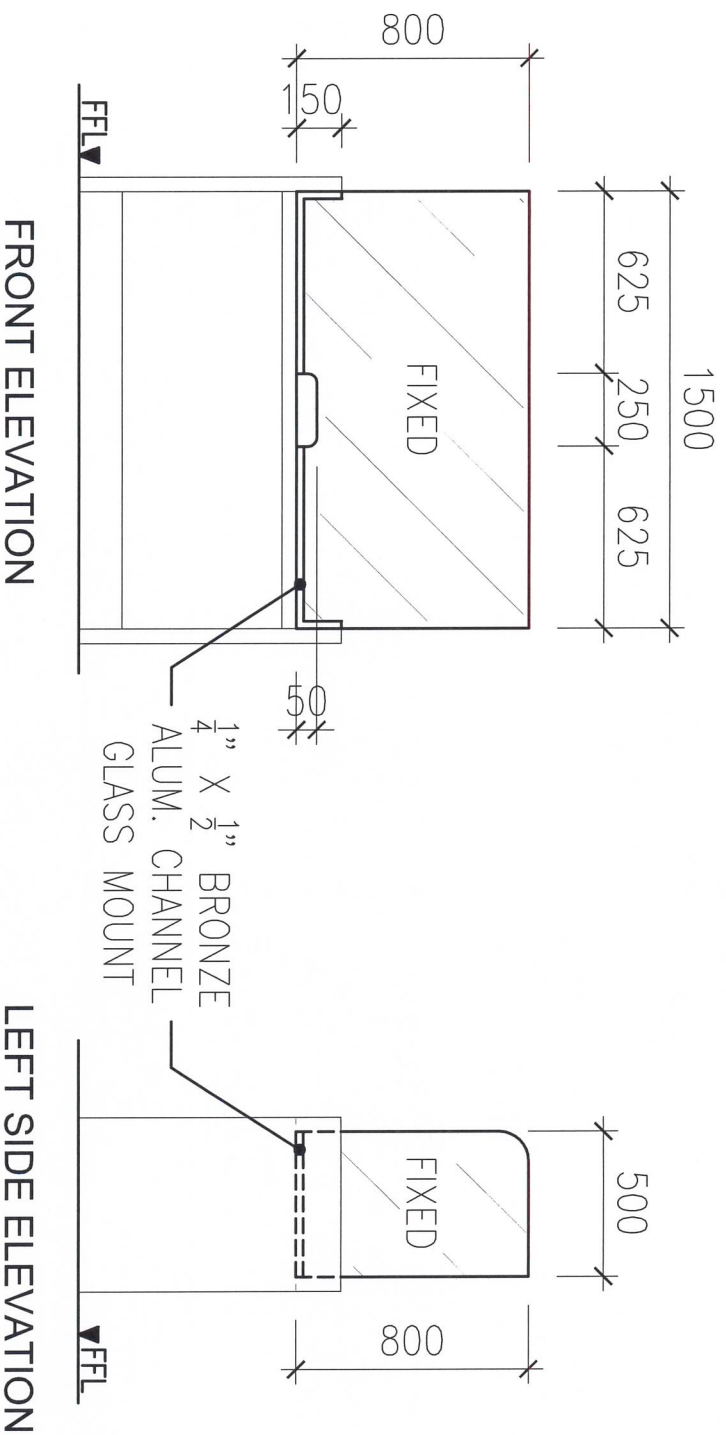


RIGHT SIDE ELEVATION

A
A-04
AMS COUNTERS 2 & 3
SCALE
1 : 25M

 <p>SOCIAL SECURITY SYSTEM</p>	<p>PROJECT TITLE: PROPOSED GLASS BARRIERS FOR SSS CALAPAN</p>	<p>PREPARED BY: DANA MONICA D. ENOLVAJAP BUILDING ADMINISTRATOR, LUZON SOUTH DIV. 2</p>	<p>CHECKED AND REVIEWED BY: IMELDA G. FAMILARAN BRANCH HEAD, SSS CALAPAN</p>	<p>APPROVED BY: FRANCISCO P.L. LEGANO ACTING HEAD, LUZON SOUTH DIVISION 2</p>	<p>SHEET NO.: A-4</p>
---	--	---	--	---	----------------------------------

1 SET SEMI-FRAMED S/P
6MM THK. ORDINARY CLEAR GLASS



A
AMS COUNTER 4
SCALE 1 : 25M



SOCIAL SECURITY SYSTEM

PROJECT TITLE:
PROPOSED GLASS BARRIERS FOR SSS CALAPAN

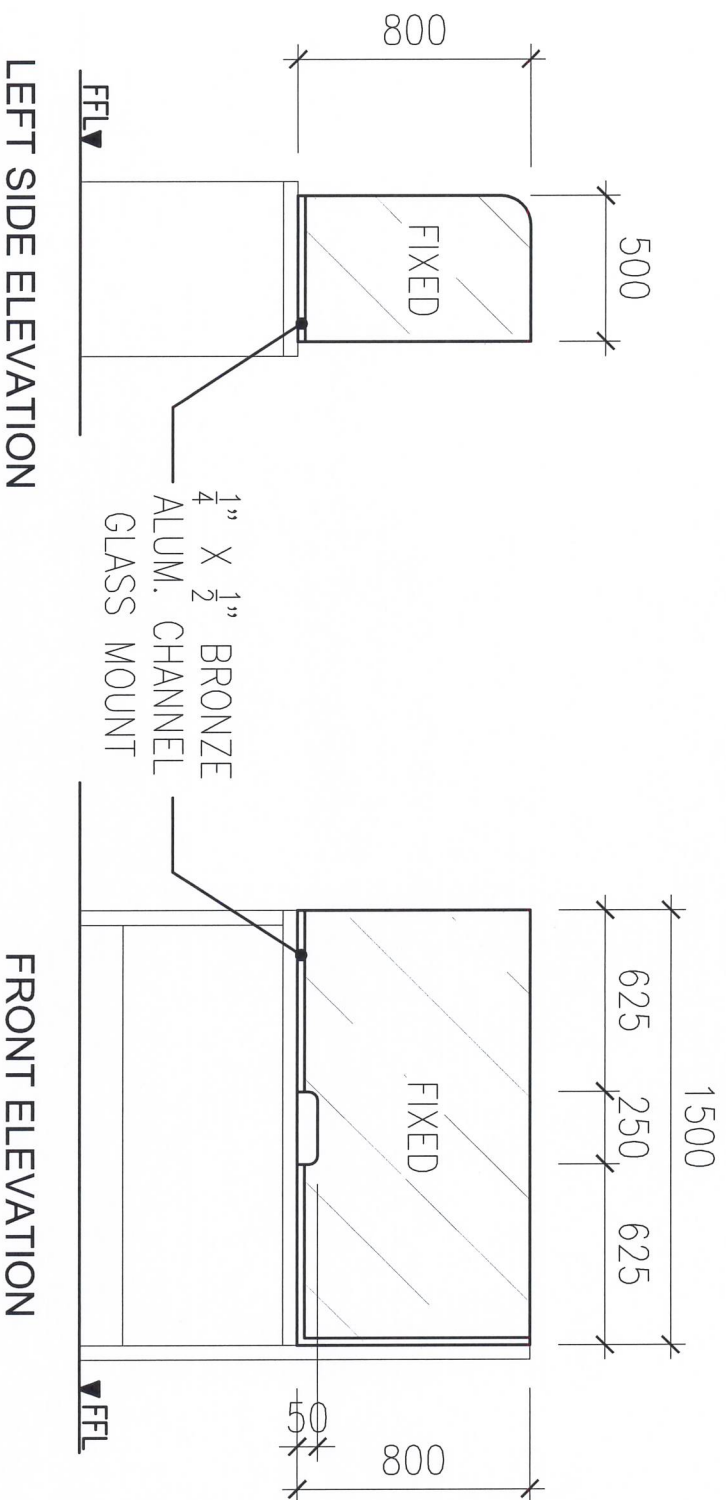
PREPARED BY:
DANA MONICA D. ENOLVA, UAP
BUILDING ADMINISTRATOR, LUZON SOUTH DIV. 2

CHECKED AND REVIEWED BY:
IMELDA G. AMILARAN
BRANCH HEAD, SSS CALAPAN

APPROVED BY:
FRANCISCO P. LESCANO
ACTING HEAD, LUZON SOUTH DIVISION 2

SHEET NO.:
A-5

1 SET SEMI-FRAMED S/P
6MM THK. ORDINARY CLEAR GLASS



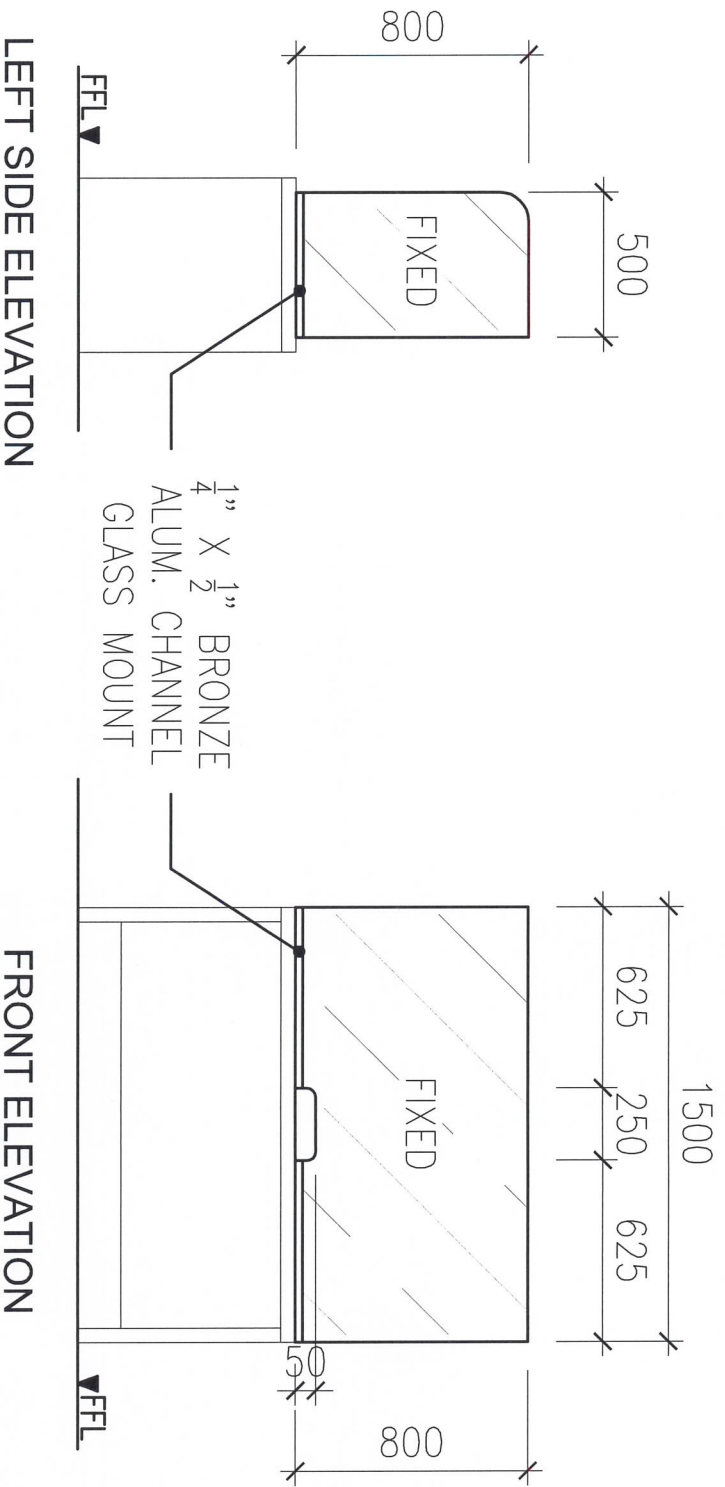
A AMS HEAD WORKSTATION

A-06 SCALE

1 : 25M

 <p>SOCIAL SECURITY SYSTEM</p>	PROJECT TITLE:	PREPARED BY:	CHECKED AND REVIEWED BY:	APPROVED BY:	SHEET NO.:
	<p>PROPOSED GLASS BARRIERS FOR SSS CALAPAN</p>	<p>DANA MONICA D. ENOLVA, up BUILDING ADMINISTRATOR, LUZON SOUTH DIV. 2</p>	<p>IMELDA G. FAMILARAN BRANCH HEAD, SSS CALAPAN</p>	<p>FRANCISCO P. L. ESCANO ASST. CHIEF, LUZON SOUTH DIVISION 2</p>	A-6

4 SETS SEMI-FRAMED S/P
6MM THK. ORDINARY CLEAR GLASS



A
A-07
ADMIN & OBH STAFF WORKSTATIONS
SCALE
1 : 25M



SOCIAL SECURITY SYSTEM

PROJECT TITLE:
PROPOSED GLASS BARRIERS FOR SSS CALAPAN

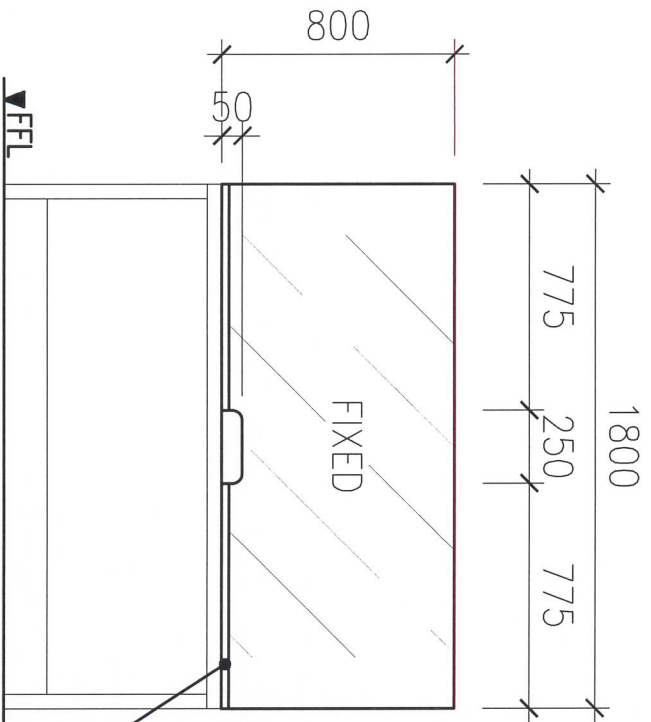
PREPARED BY:
DANA MONICA D. ENOLVAJAP
BUILDING ADMINISTRATOR, LUZON SOUTH DIV. 2

CHECKED AND REVIEWED BY:
INELDA G. FAMILARAN
BRANCH HEAD, SSS CALAPAN

APPROVED BY:
FRANCISCO P. LESCANO
ACTING HEAD, LUZON SOUTH DIVISION 2

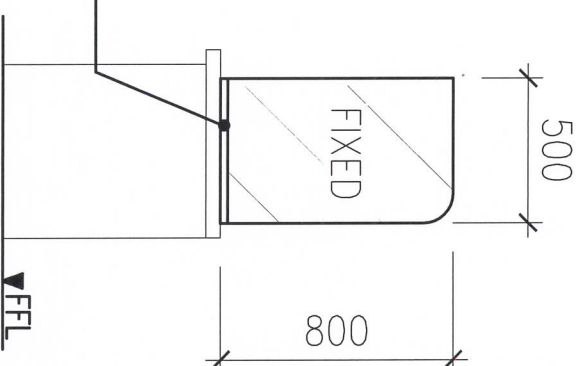
SHEET NO.:
A-7

1 SET SEMI-FRAMED S/P
6MM THK. ORDINARY CLEAR GLASS



FRONT ELEVATION

$\frac{1}{4}$ " X $\frac{1}{2}$ " BRONZE
ALUM. CHANNEL
GLASS MOUNT



RIGHT SIDE ELEVATION

A
A-08
SCALE
BRANCH HEAD WORKSTATION
1 : 25M



SOCIAL SECURITY SYSTEM

PROJECT TITLE:

PROPOSED GLASS BARRIERS
FOR SSS CALAPAN

PREPARED BY:

DANA MONICA D. ENOLVAJAP
BUILDING ADMINISTRATOR, LUZON SOUTH DIV. 2

CHECKED AND REVIEWED BY:

INEIDA G. FAMILARAN
BRANCH HEAD, SSS CALAPAN

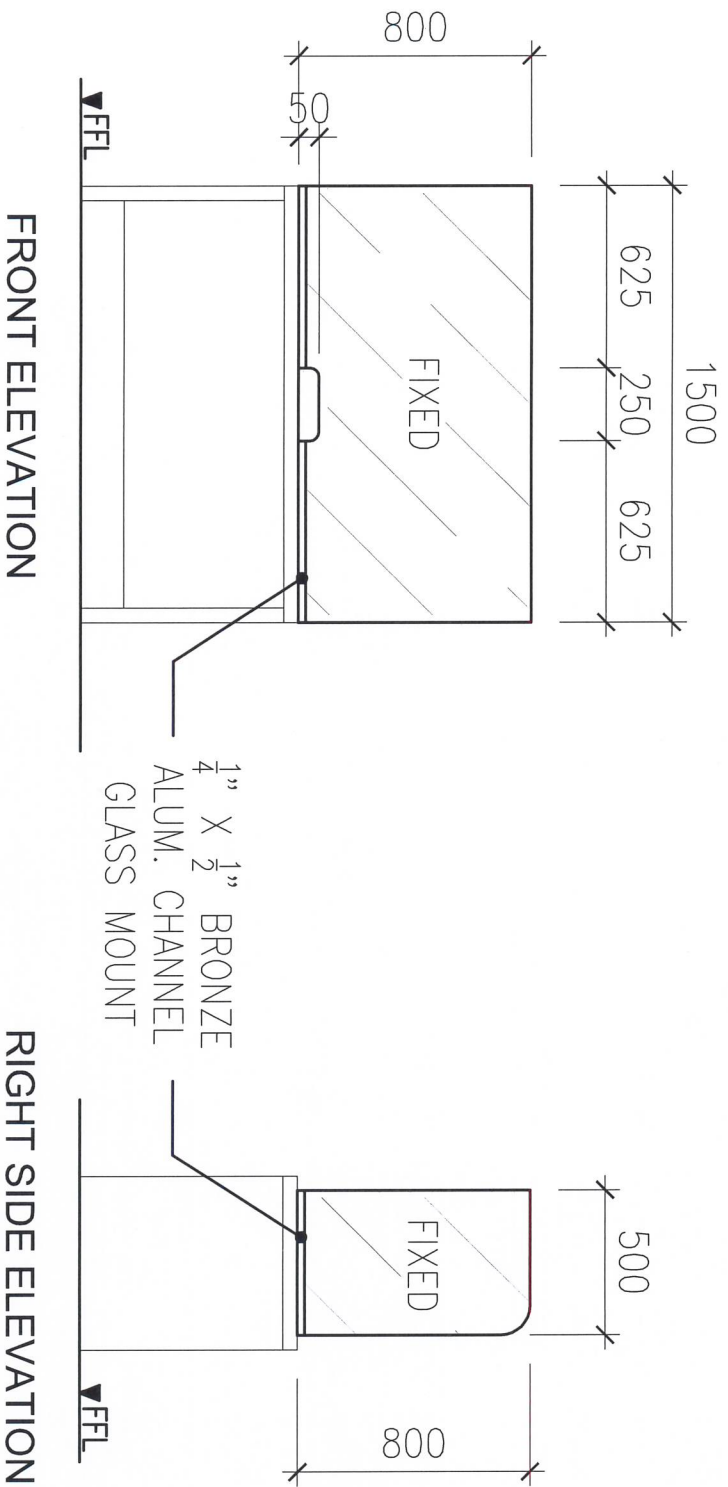
APPROVED BY:

FRANCISCO P. ESCANO
ACTING HEAD, LUZON SOUTH DIVISION 2

SHEET NO.:

A-8

4 SETS SEMI-FRAMED S/P
6MM THK. ORDINARY CLEAR GLASS



A AMS, PACD & BONGABONG S.O. COUNTERS 1&2
A-09 SCALE 1 : 25M



SOCIAL SECURITY SYSTEM

PROJECT TITLE:

PROPOSED GLASS BARRIERS FOR SSS CALAPAN

PREPARED BY:

DANA MOKICA D. ENOLVA, UAP
BUILDING ADMINISTRATOR, LUZON SOUTH DIV. 2

CHECKED AND REVIEWED BY:

MELEDA STAMILARAN
BRANCH HEAD, SSS CALAPAN

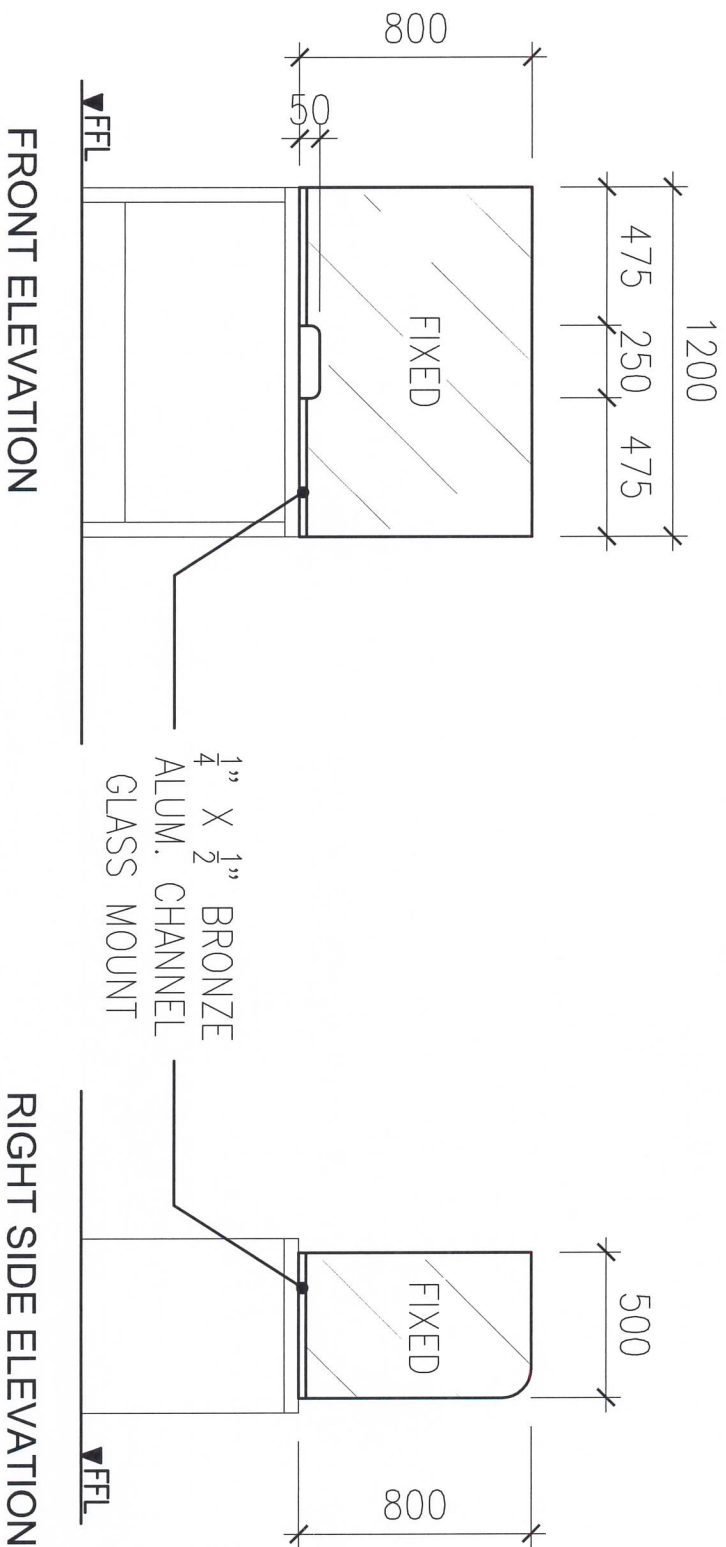
APPROVED BY:

FRANCISCO P. LESCANO
ACTING HEAD, LUZON SOUTH DIVISION 2

SHEET NO.:

A-9

1 SET SEMI-FRAMED S/P
6MM THK. ORDINARY CLEAR GLASS



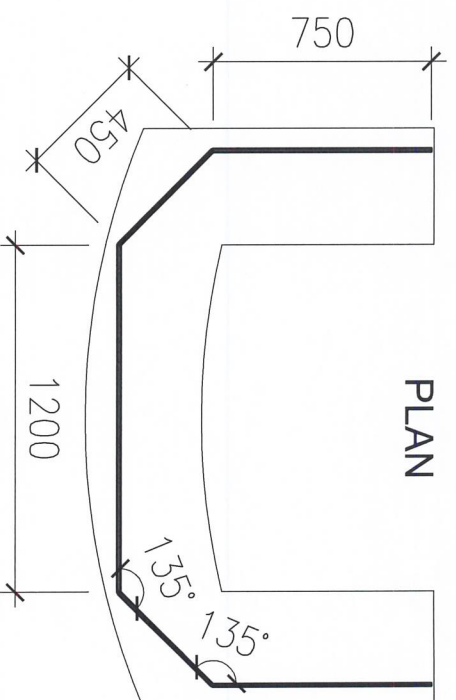
A
BONGABONG S.O. COUNTER 3
SCALE 1 : 25M

 <p>SOCIAL SECURITY SYSTEM</p>	<p>PROJECT TITLE: PROPOSED GLASS BARRIERS FOR SSS CALAPAN</p>	<p>PREPARED BY: DANA MONICA D. ENOLA V.A. JAP BUILDING ADMINISTRATOR, LUZON SOUTH DIV. 2</p>	<p>CHECKED AND REVIEWED BY: IMELDA G. FAMILIARAN BRANCH HEAD, SSS CALAPAN</p>	<p>APPROVED BY: FRANCISCO P. LESCANO ACTING HEAD, LUZON SOUTH DIVISION 2</p>	<p>SHEET NO.: A-10</p>
---	--	--	---	--	-----------------------------------

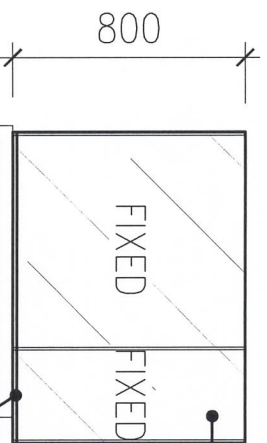
A
A-11

GEN. INFO COUNTER

SCALE
1 : 25M



750

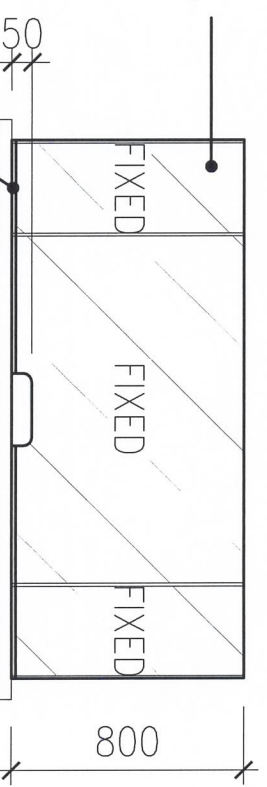


$\frac{1}{4}$ " X $\frac{1}{2}$ " BRONZE
ALUM. CHANNEL
GLASS MOUNT

FFL

LEFT SIDE ELEVATION

1200



FFL

FRONT ELEVATION



SOCIAL SECURITY SYSTEM

PROJECT TITLE:

PROPOSED GLASS BARRIERS FOR SSS CALAPAN

PREPARED BY:

DANA MONICA P. ENOLVA, uap
BUILDING ADMINISTRATOR, LUZON SOUTH DIV. 2

CHECKED AND REVIEWED BY:

INELDA G. FAMILARAN
BRANCH HEAD, SSS CALAPAN

APPROVED BY:

FRANCISCO P. ESCANO
ACTING HEAD, LUZON SOUTH DIVISION 2

SHEET NO.:

A-11