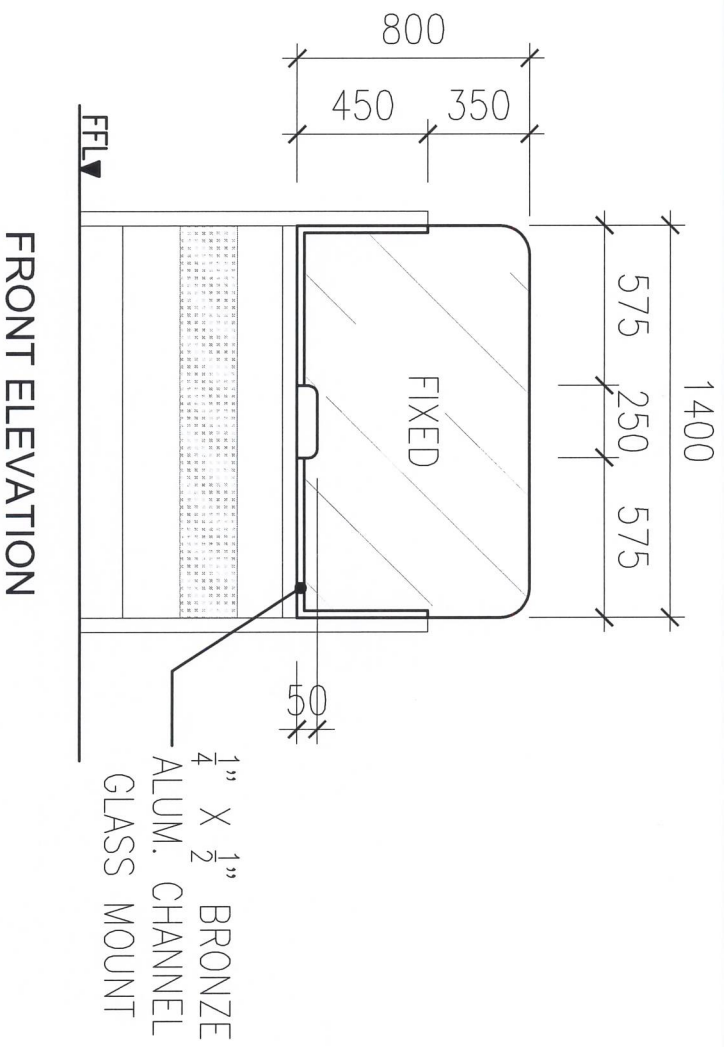


5 SETS SEMI-FRAMED S/P
6MM THK. ORDINARY CLEAR GLASS



A
A-01
MSS COUNTERS
SCALE
1 : 25M



SOCIAL SECURITY SYSTEM

PROJECT TITLE:
PROPOSED GLASS BARRIERS
FOR SSS SAN JOSE, OCC. MINDORO

PREPARED BY:
DANA MONICA D. ENOLVA, up
BUILDING ADMINISTRATOR, LUZON SOUTH DIV. 2

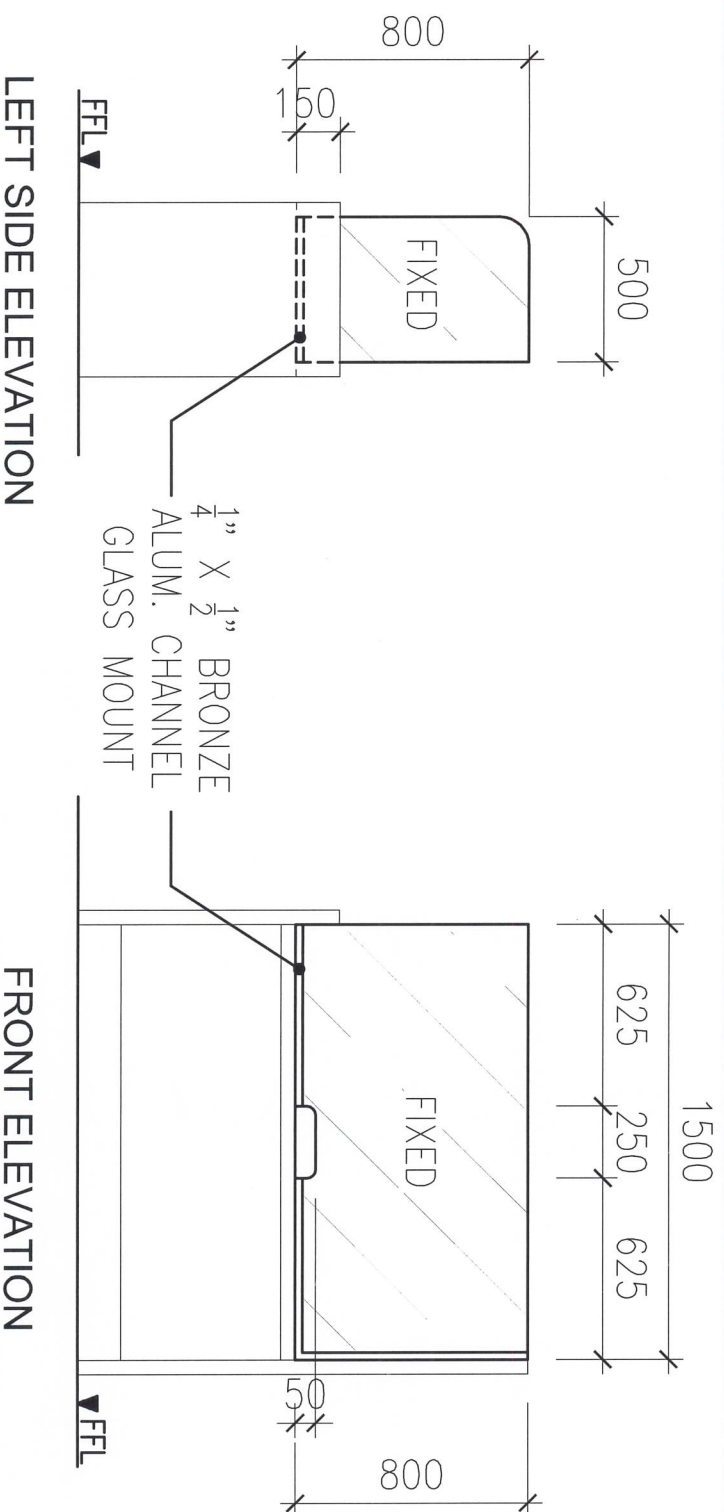
CHECKED AND REVIEWED BY:
ESMERALDA S. MADRIAGA
ACTING HEAD, SSS SAN JOSE

APPROVED BY:
FRANCISCO P.L. LESCANO
ACTING HEAD, LUZON SOUTH DIVISION 2

SHEET NO.:

A-1

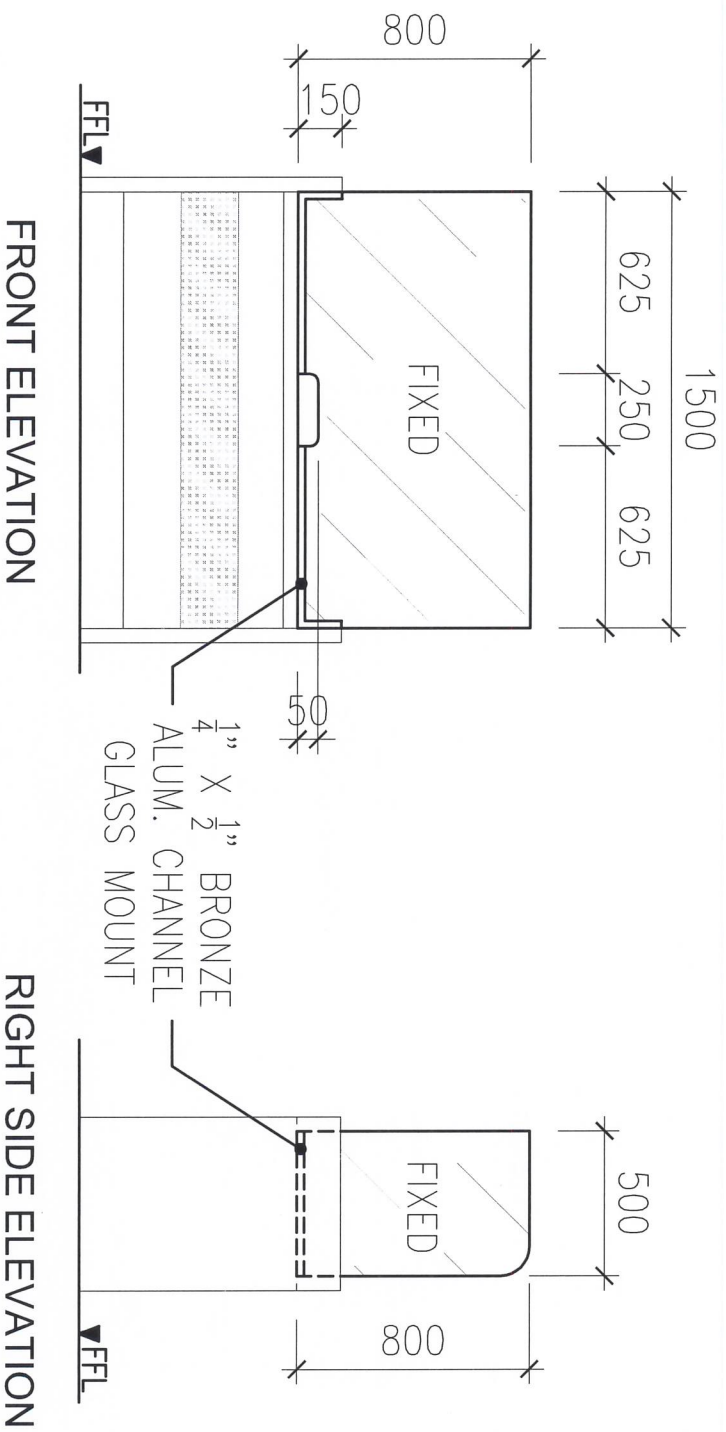
2 SETS SEMI-FRAMED S/P
6MM THK. ORDINARY CLEAR GLASS



A MSS & AMS HEADS WORKSTATIONS
SCALE **A-02**
1 : 25M

	SOCIAL SECURITY SYSTEM	PROJECT TITLE: PROPOSED GLASS BARRIERS FOR SSS SAN JOSE, OCC. MINDORO	PREPARED BY: DANA MONICA D. ENOLVA, uap BUILDING ADMINISTRATOR, LUZON SOUTH DIV. 2	CHECKED AND REVIEWED BY: ESMERALDA S. MADRIAGA ACTING HEAD, SSS SAN JOSE	APPROVED BY: FRANCISCO P.L. LESCANO ACTING HEAD, LUZON SOUTH DIVISION 2	SHEET NO.: A-2
--	-------------------------------	--	--	--	---	--------------------------

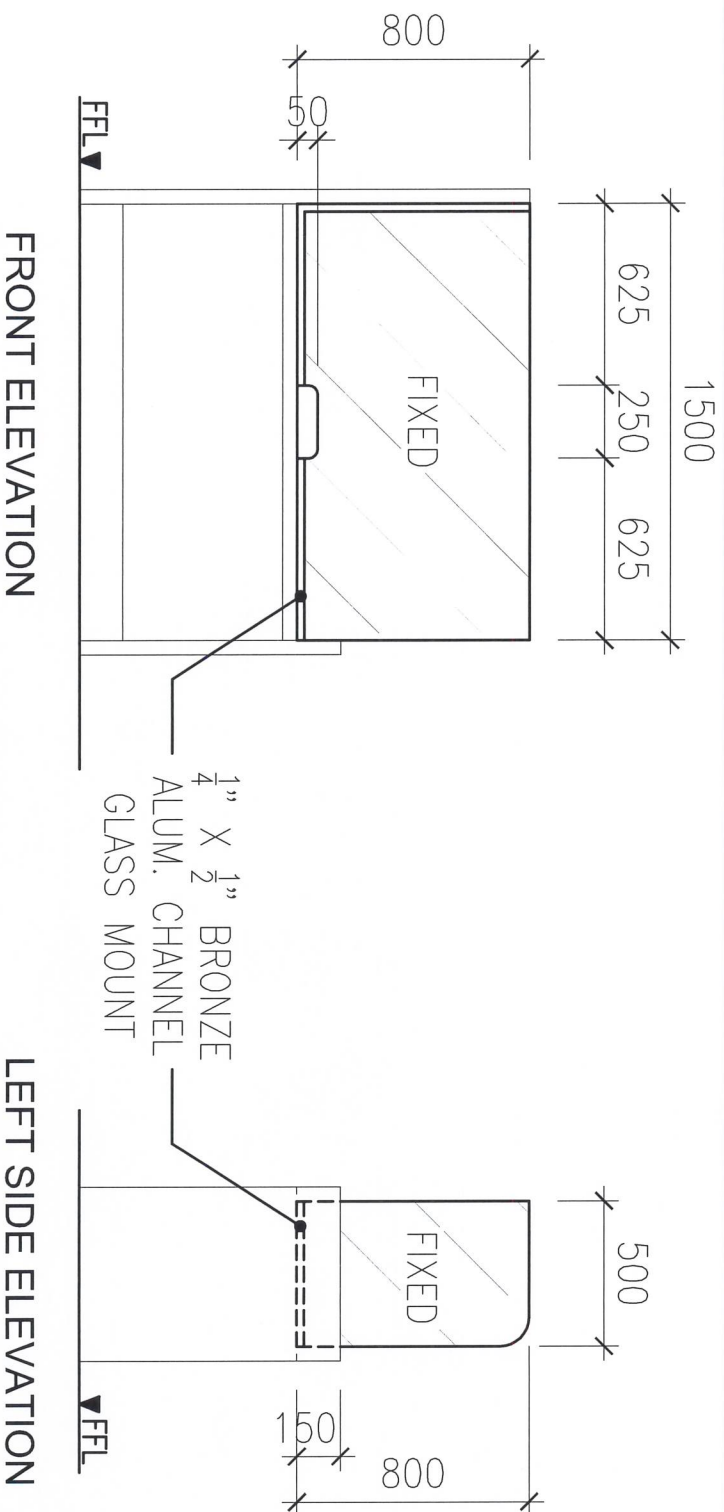
10 SETS SEMI-FRAMED S/P
 6MM THK. ORDINARY CLEAR GLASS



A
A-03 SCALE
AMS & ADMIN WORKSTATIONS
 1 : 25M

 <p>SOCIAL SECURITY SYSTEM</p>	<p>PROJECT TITLE: PROPOSED GLASS BARRIERS FOR SSS SAN JOSE, OCC. MINDORO</p>	<p>PREPARED BY:  DANA MONICA P. ENDUL, Uap <small>BUILDING ADMINISTRATOR, LUZON SOUTH DIV. 2</small></p>	<p>CHECKED AND REVIEWED BY: ESMERALDA S. MADRIAGA <small>ACTING HEAD, SSS SAN JOSE</small></p>	<p>APPROVED BY:  FRANCISCO P.L. ESCANO <small>ACTING HEAD, LUZON SOUTH DIVISION 2</small></p>	<p>SHEET NO.: A-3</p>
---	--	--	---	---	-----------------------------------

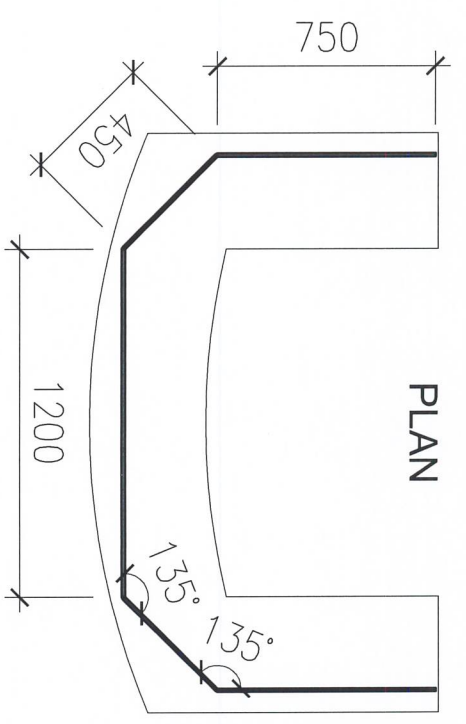
1 SET SEMI-FRAMED S/P
6MM THK. ORDINARY CLEAR GLASS



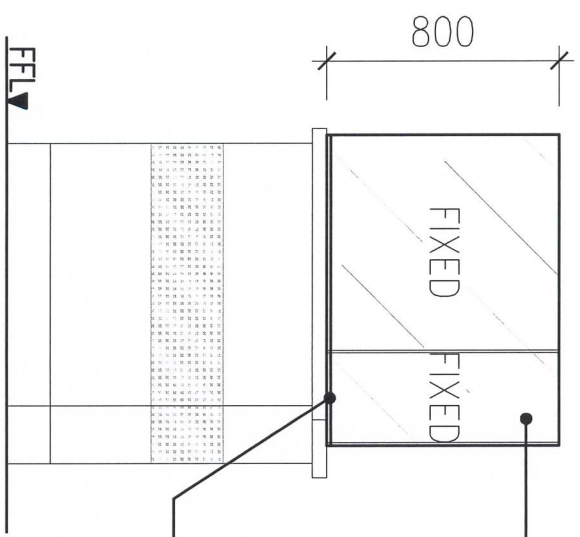
A ADMIN HEAD WORKSTATION
A-04 SCALE 1 : 25M

 <p>SOCIAL SECURITY SYSTEM</p>	<p>PROJECT TITLE: PROPOSED GLASS BARRIERS FOR SSS SAN JOSE, OCC. MINDORO</p>	<p>PREPARED BY: DANA MONICA D. ENOLA V. UAP BUILDING ADMINISTRATOR, LUZON SOUTH DIV. 2</p>	<p>CHECKED AND REVIEWED BY: ESMERALDA S. MADRAGA ACTING HEAD, SSS SAN JOSE</p>	<p>APPROVED BY: FRANJISCO P.L. LESCANO ACTING HEAD, LUZON SOUTH DIVISION 2</p>	<p>SHEET NO.: A-4</p>
---	--	--	--	--	----------------------------------

A
A-05
GEN. INFO COUNTER
SCALE
1 : 25M

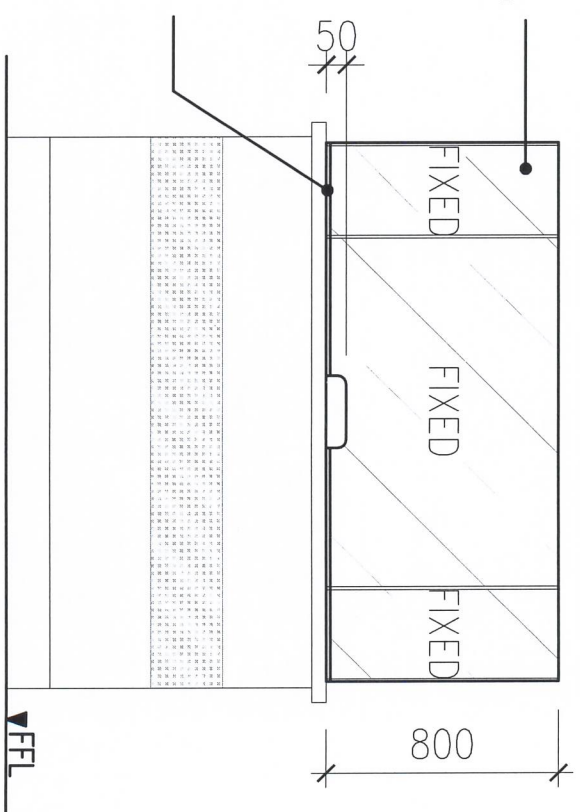


750



LEFT SIDE ELEVATION

1200



FRONT ELEVATION



SOCIAL SECURITY SYSTEM

PROJECT TITLE:
PROPOSED GLASS BARRIERS FOR SSS SAN JOSE, OCC. MINDORO

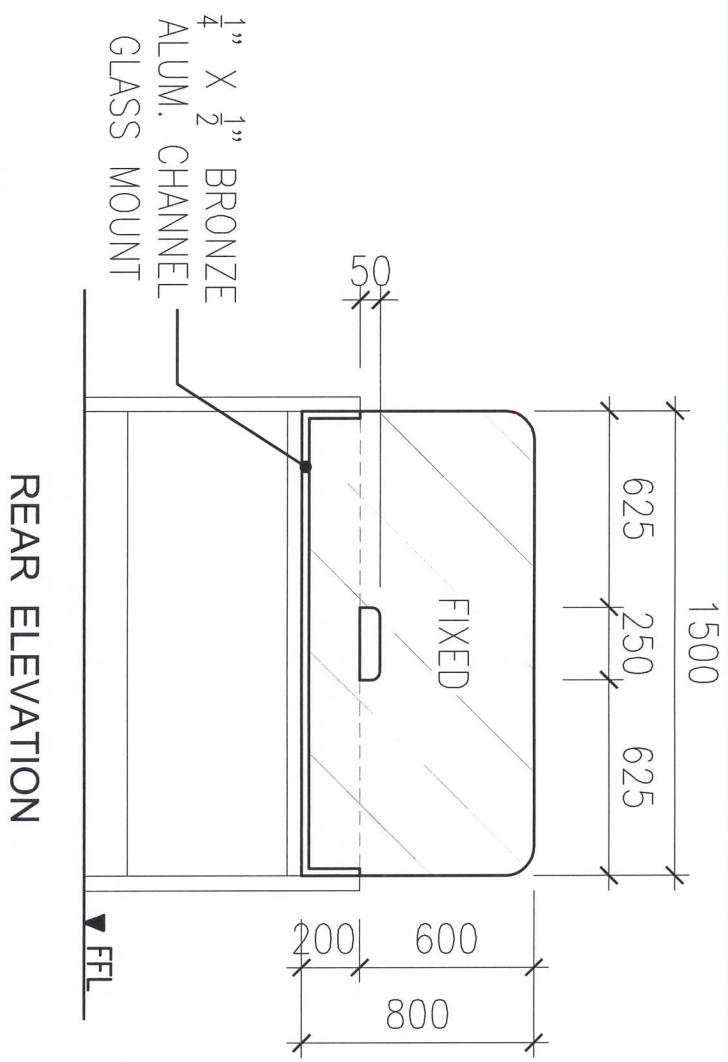
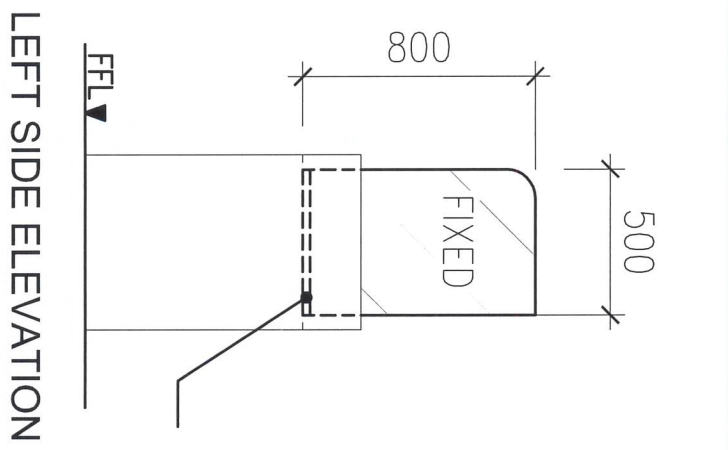
PREPARED BY:
[Signature]
DANA MONICA D. ENOLVA, up
BUILDING ADMINISTRATOR, LUZON SOUTH DIV. 2

CHECKED AND REVIEWED BY:
ESMERALDA S. MADRIAGA
ACTING HEAD, SSS SAN JOSE

APPROVED BY:
[Signature]
FRANCISCO P.L. LESCANO
ACTING HEAD, LUZON SOUTH DIVISION 2

SHEET NO.:
A-5

2 SETS SEMI-FRAMED S/P
6MM THK. ORDINARY CLEAR GLASS



A
A-06
SCALE
SABLAYAN S.O. COUNTERS
1 : 25M



SOCIAL SECURITY SYSTEM

PROJECT TITLE:
PROPOSED GLASS BARRIERS
FOR SSS SAN JOSE, OCC. MINDORO

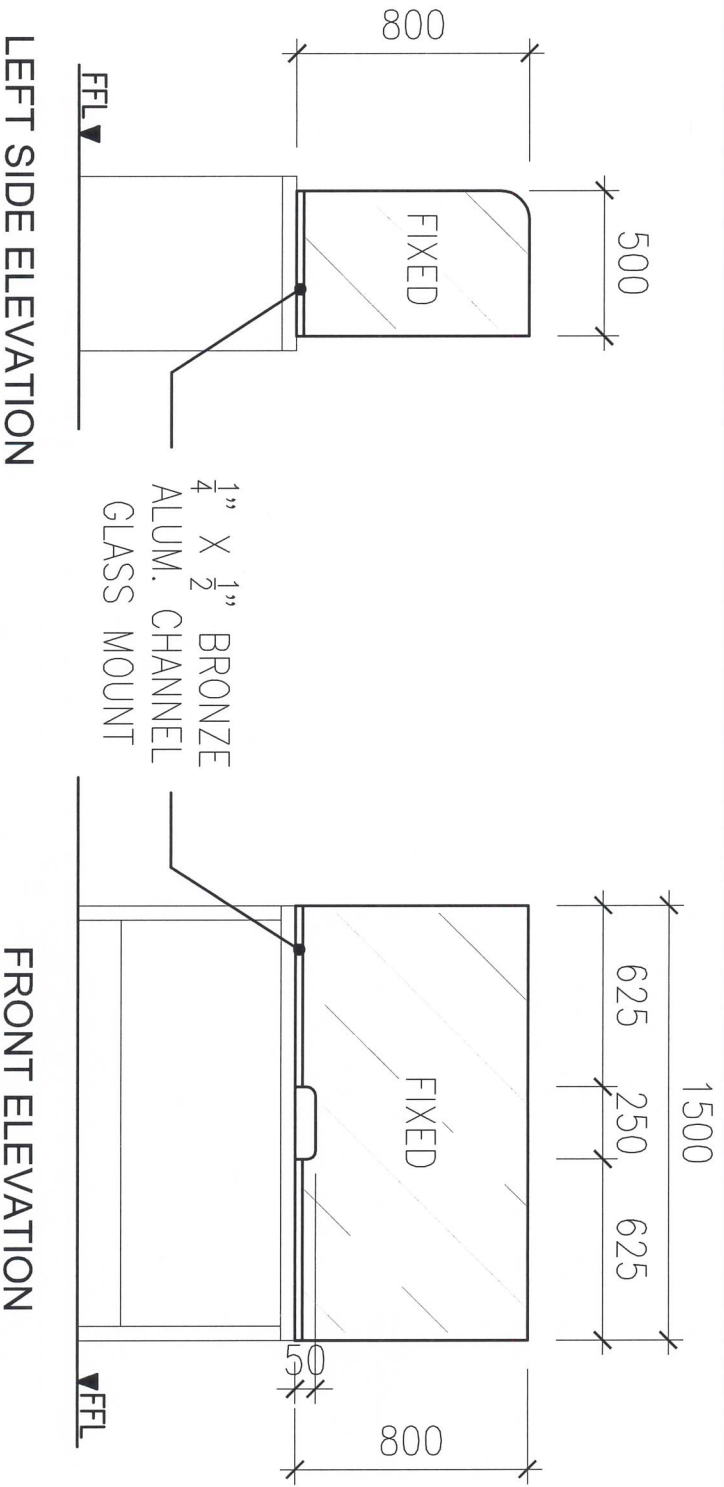
PREPARED BY:
DANA MONICA D. ENOLVA, uap
BUILDING ADMINISTRATOR, LUZON SOUTH DIV. 2

CHECKED AND REVIEWED BY:
ESMERALDA S. MADRIAGA
ACTING HEAD, SSS SAN JOSE

APPROVED BY:
FRANCISCO P.L. LESCANO
ACTING HEAD, LUZON SOUTH DIVISION 2

SHEET NO.:
A-6

1 SET SEMI-FRAMED S/P
6MM THK. ORDINARY CLEAR GLASS



A
A-07 SCALE
SABLAYAN S.O. OIC WORKSTATION
1 : 25M



SOCIAL SECURITY SYSTEM

PROJECT TITLE:
PROPOSED GLASS BARRIERS FOR SSS SAN JOSE, OCC. MINDORO

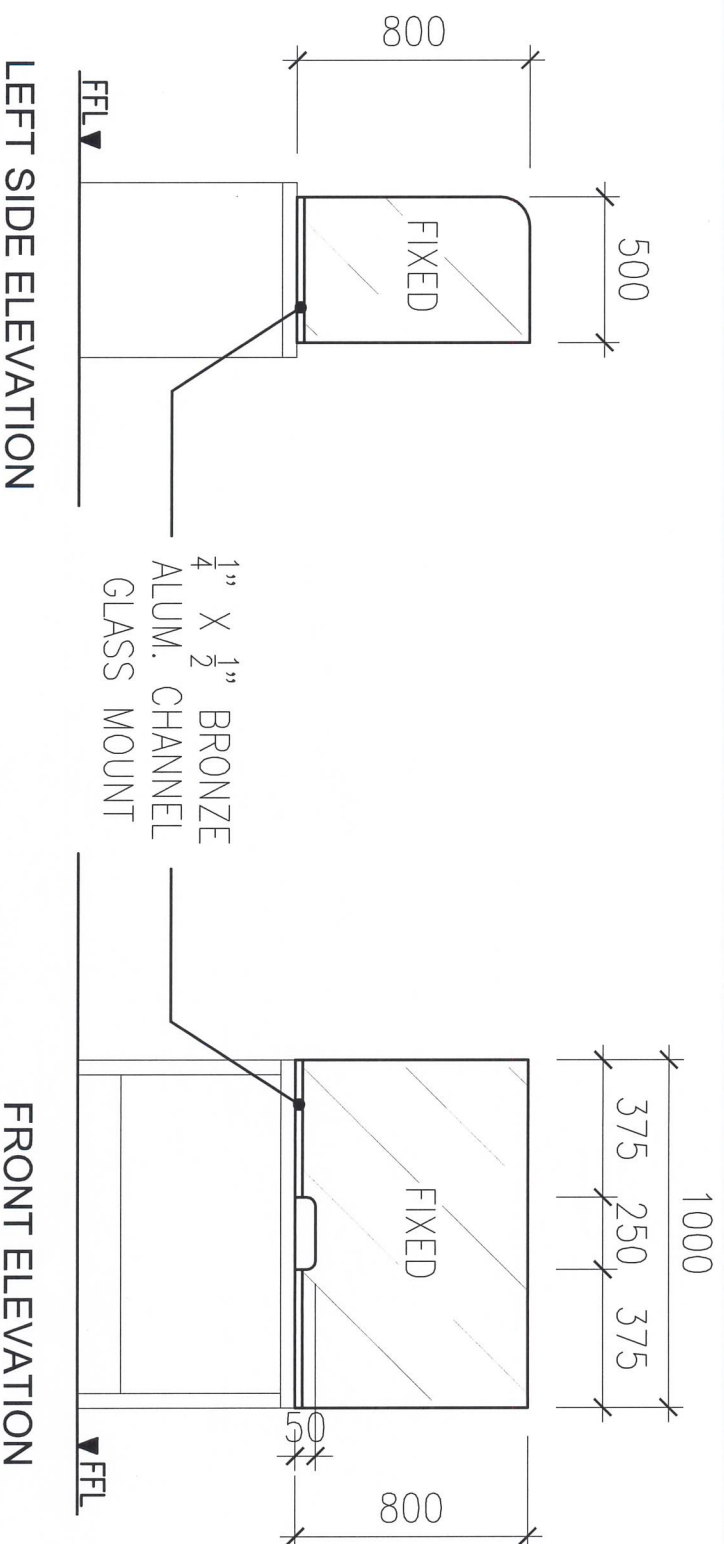
PREPARED BY:
DANA MONICA D. ENOLVA, Jap
BUILDING ADMINISTRATOR, LIZON SOUTH DIV. 2

CHECKED AND REVIEWED BY:
ESMERALDA S. MADRAGA
ACTING HEAD, SSS SAN JOSE

APPROVED BY:
FRANCISCO P.L. LESCANO
ACTING HEAD, LIZON SOUTH DIVISION 2

SHEET NO.:
A-7


2 SETS SEMI-FRAMED S/P
6MM THK. ORDINARY CLEAR GLASS



A
A-08
SCALE

MAMBURAO S.O. COUNTERS

1 : 25M

 <p>SOCIAL SECURITY SYSTEM</p>	<p>PROJECT TITLE: PROPOSED GLASS BARRIERS FOR SSS SAN JOSE, OCC. MINDORO</p>	<p>PREPARED BY: DANA MONICA D. ENOLVA, IAP BUILDING ADMINISTRATOR, LUZON SOUTH DIV. 2</p>	<p>CHECKED AND REVIEWED BY: ESMERALDA S. MADRIAGA ACTING HEAD, SSS SAN JOSE</p>	<p>APPROVED BY: FRANCISCO P.L. LESCANO ACTING HEAD, LUZON SOUTH DIVISION</p>	<p>SHEET NO.: A-8</p>
---	--	---	---	--	----------------------------------