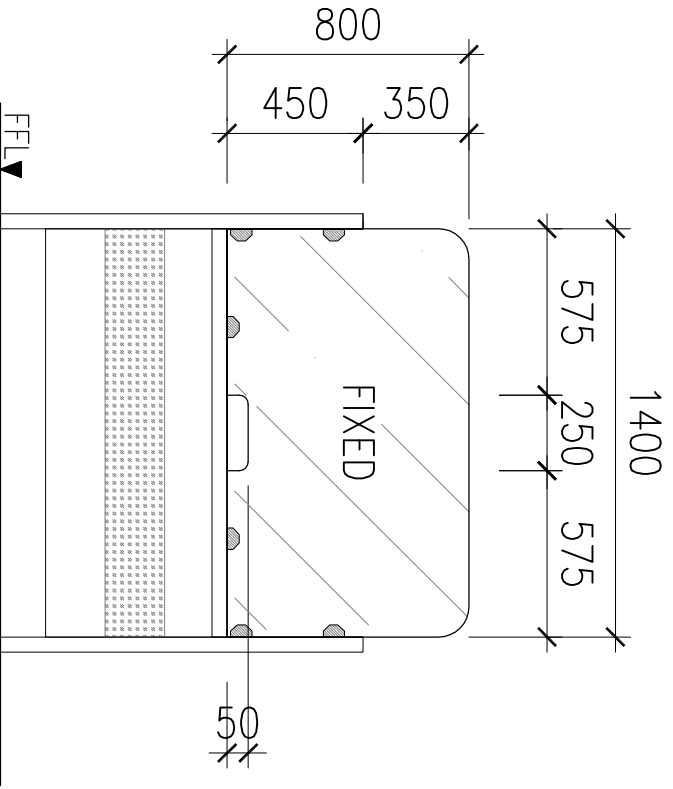
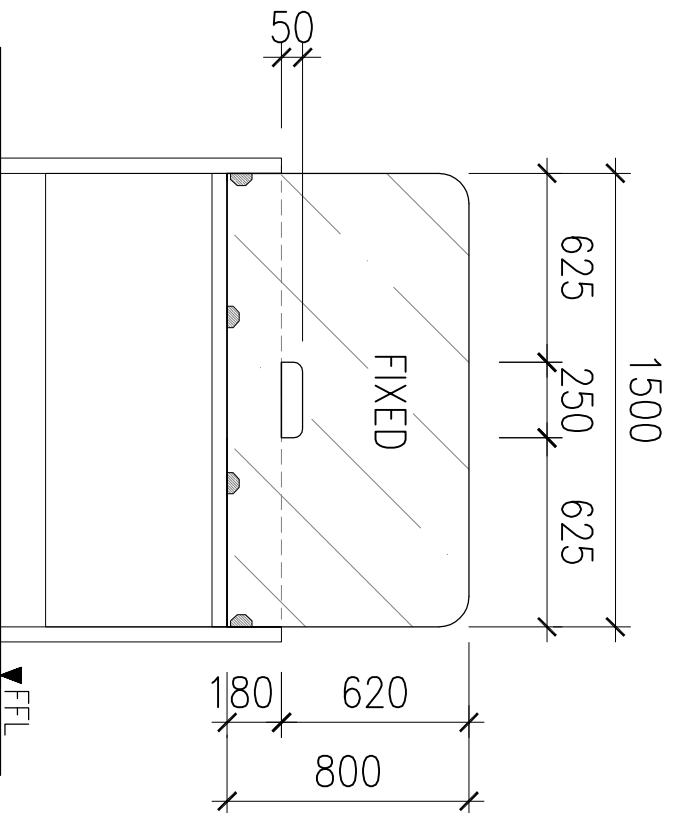


6 SETS FRAMELESS 6MM THK.
ORDINARY CLEAR GLASS S/P
ON METAL BRACKETS



FRONT ELEVATION

1 SET FRAMELESS 6MM THK.
ORDINARY CLEAR GLASS S/P
ON METAL BRACKETS



REAR ELEVATION

A
A-01

MSS COUNTERS 1-3 & BALAYAN SO

SCALE

1 : 25M

B
A-01

ADMIN WORKSTATION

SCALE

1 : 25M



SOCIAL SECURITY SYSTEM

PROJECT TITLE:

PROPOSED GLASS BARRIERS FOR SSS LEMERY

PREPARED BY:

DANA MONICA D. ENOLA V.A. nap
BUILDING ADMINISTRATION, LUZON SOUTH DIV. 2

CHECKED AND REVIEWED BY:

DANA MONICA D. ENOLA V.A. TRIA
ACTING HEAD, SSS LEMERY

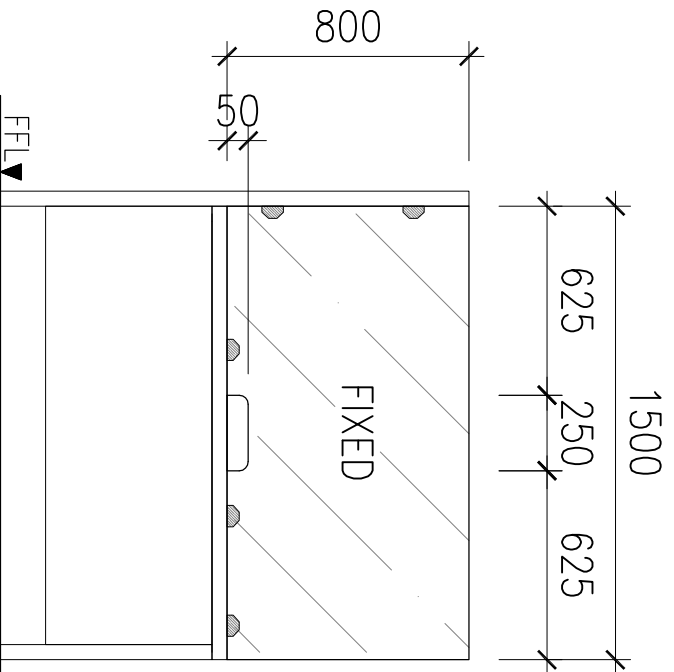
APPROVED BY:

FRANCISCO P.L. LESCANO
ACTING HEAD, LUZON SOUTH DIVISION 2

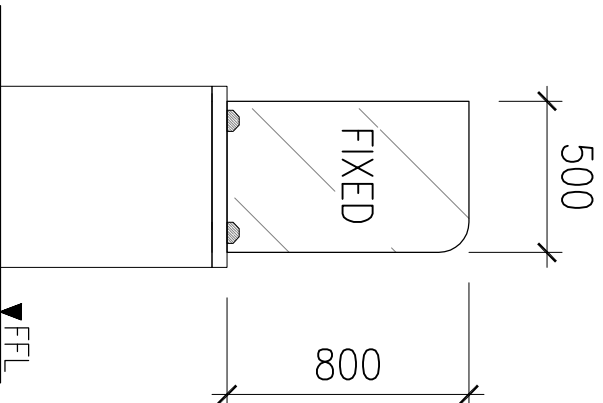
SHEET NO.:

A-1

**2 SETS FRAMELESS 6MM THK.
ORDINARY CLEAR GLASS S/P ON METAL BRACKETS**



FRONT ELEVATION



RIGHT SIDE ELEVATION

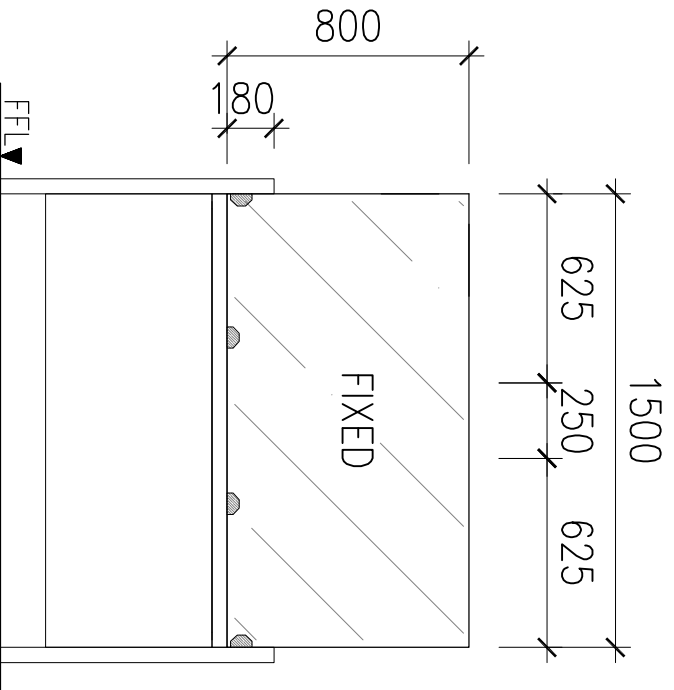
A
A-02

MSS & ADMIN HEADS WORKSTATION

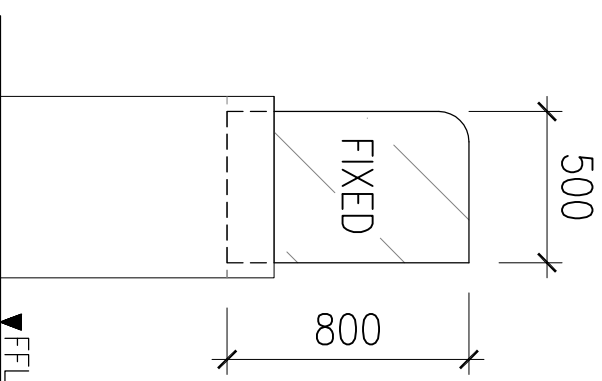
SCALE
1 : 25M

 <p>SOCIAL SECURITY SYSTEM</p>	<p>PROJECT TITLE: PROPOSED GLASS BARRIERS FOR SSS LEMERY</p>	<p>PREPARED BY: DANK MONICA D. ENOLA V.A. nap BUILDING OPERATIONS DIVISION 2</p>	<p>CHECKED AND REVIEWED BY: APOLONIA A. TRIA ACTING HEAD, SSS LEMERY</p>	<p>APPROVED BY: FRANCISCO P.L. LESCANO ACTING HEAD, LUZON SOUTH DIVISION 2</p>	<p>SHEET NO.: A-2</p>
--	---	--	--	--	----------------------------------

3 SETS FRAMELESS 6MM THK.
ORDINARY CLEAR GLASS S/P ON METAL BRACKETS



FRONT ELEVATION

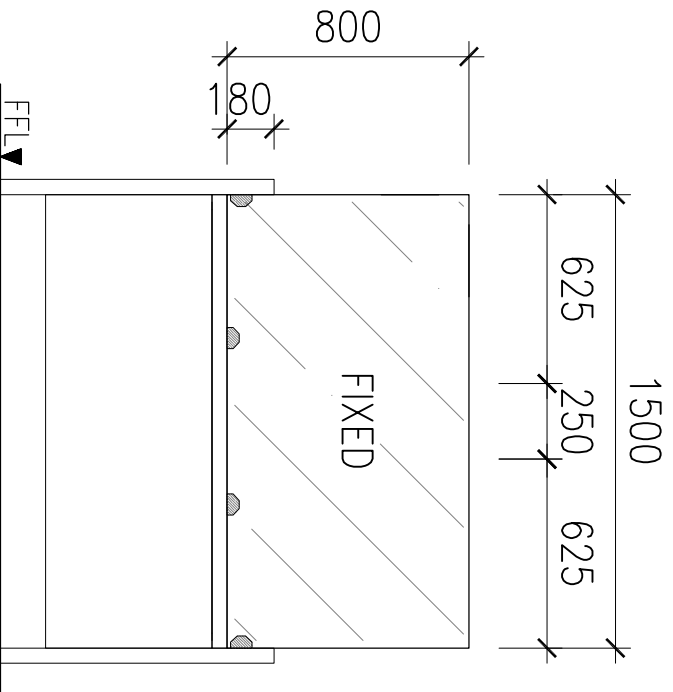


LEFT SIDE ELEVATION

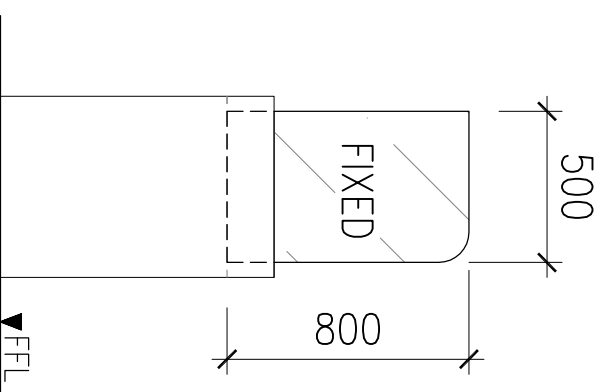
A
 A-03
AMS COUNTERS 1, 3 & 5
 SCALE 1 : 25M

 SOCIAL SECURITY SYSTEM	PROJECT TITLE: PROPOSED GLASS BARRIERS FOR SSS LEMERY	PREPARED BY:  DANA MONICA D. ENOLA V.A., CAP <small>BUILDING ADMINISTRATOR, LUZON SOUTH DIV. 2</small>	CHECKED AND REVIEWED BY:  ARDONIA A. TRIAS <small>ACTING HEAD, SSS LEMERY</small>	APPROVED BY:  FRANCISCO P. LESCANO <small>ACTING HEAD, LUZON SOUTH DIVISION 2</small>	SHEET NO.: A-3
--	---	--	---	---	--------------------------

**3 SETS FRAMELESS 6MM THK.
ORDINARY CLEAR GLASS S/P ON METAL BRACKETS**



FRONT ELEVATION

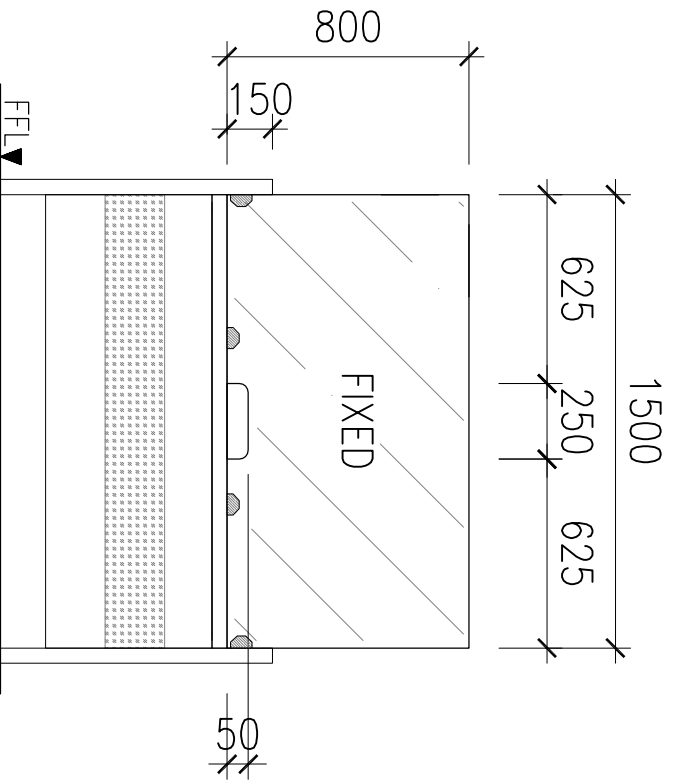


RIGHT SIDE ELEVATION

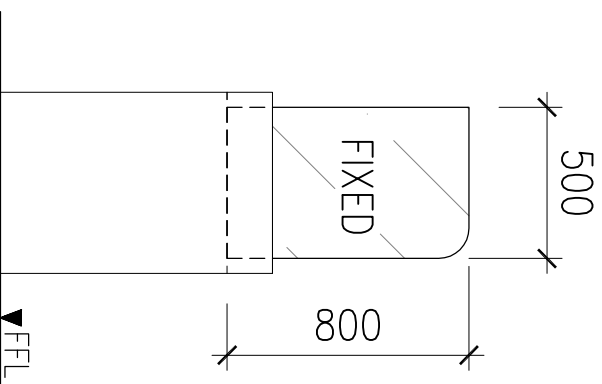
A
AMS COUNTERS 2, 4 & 6
 SCALE 1 : 25M

 SOCIAL SECURITY SYSTEM	PROJECT TITLE: PROPOSED GLASS BARRIERS FOR SSS LEMERY	PREPARED BY:  DANA MONICA D. ENOLVA, cap <small>BUILDING ADMINISTRATOR, LUZON SOUTH DIV. 2</small>	CHECKED AND REVIEWED BY:  APOLLONIA A. TRIAS <small>ACTING HEAD, SSS LEMERY</small>	APPROVED BY:  FRANCISCO P. LESCANO <small>ACTING HEAD, LUZON SOUTH DIVISION 2</small>	SHEET NO.: A-4
--	---	--	---	---	--------------------------

2 SETS FRAMELESS 6MM THK.
ORDINARY CLEAR GLASS S/P ON METAL BRACKETS



FRONT ELEVATION



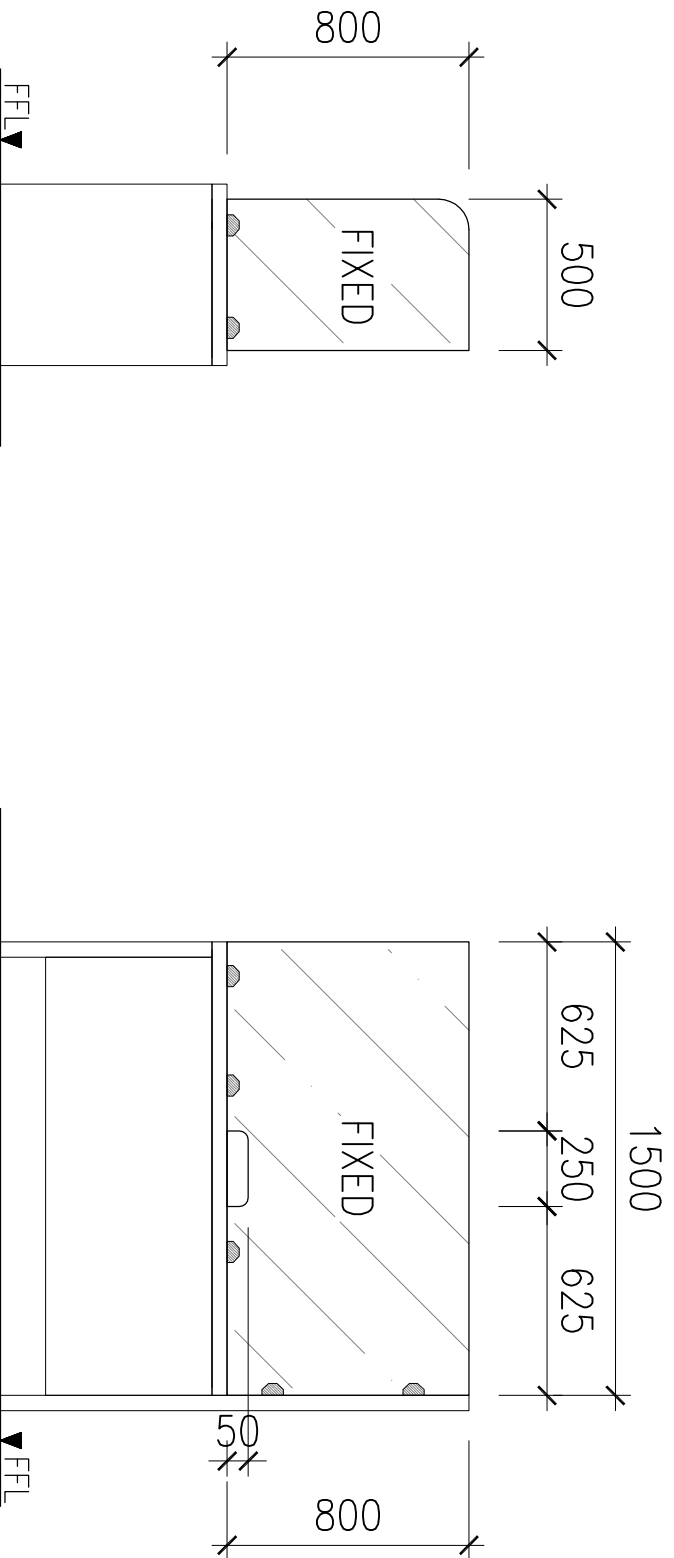
RIGHT SIDE ELEVATION

A
A-05

MSS COUNTERS 4 & 5
SCALE 1 : 25M

 <p>SOCIAL SECURITY SYSTEM</p>	<p>PROJECT TITLE: PROPOSED GLASS BARRIERS FOR SSS LEMERY</p>	<p>PREPARED BY: DANA MONICA D. ENOLIVA, sap BUILDING ADMINISTRATOR, LUZON SOUTH DIV. 2</p>	<p>CHECKED AND REVIEWED BY: APOLONIA A. TRIA ACTING HEAD, SSS LEMERY</p>	<p>APPROVED BY: FRANCISCO P.L. LESCANO ACTING HEAD, LUZON SOUTH DIVISION 2</p>	<p>SHEET NO.: A-5</p>
--	---	--	--	--	----------------------------------

1 SET FRAMELESS 6MM THK.
ORDINARY CLEAR GLASS S/P ON METAL BRACKETS



LEFT SIDE ELEVATION


FRONT ELEVATION

AMS HEAD WORKSTATION

A
A-06

SCALE

1 : 25M

 <p>SOCIAL SECURITY SYSTEM</p>	<p>PROJECT TITLE: PROPOSED GLASS BARRIERS FOR SSS LEMERY</p>	<p>PREPARED BY: DANA MONICA D. ENOLA V.A. nap <i>[Signature]</i> BUILDING ADMINISTRATOR, LUZON SOUTH DIV. 2</p>	<p>CHECKED AND REVIEWED BY: APOLONIA A. TRIA <i>[Signature]</i> ACTING HEAD, SSS LEMERY</p>	<p>APPROVED BY: FRANCISCO P.L. LESCANO <i>[Signature]</i> ACTING HEAD, LUZON SOUTH DIVISION 2</p>	<p>SHEET NO.: A-6</p>
--	---	---	---	---	----------------------------------

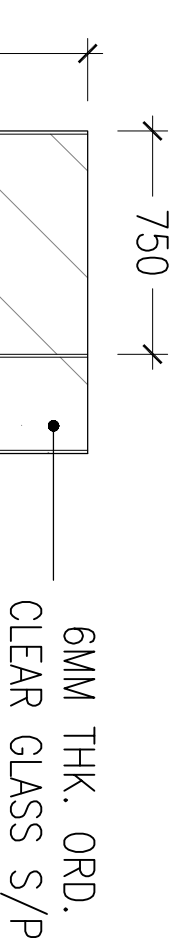
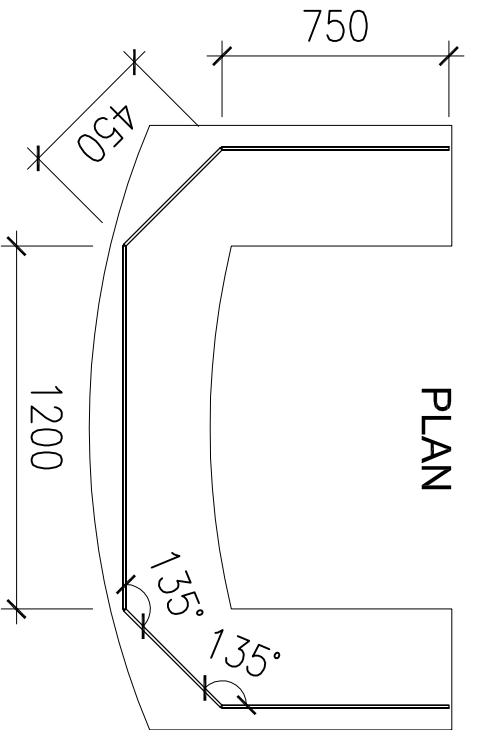
A
A-07

GEN. INFO COUNTER

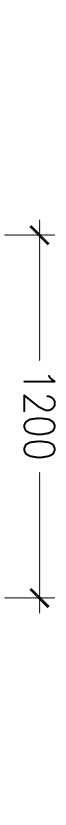
1 : 25M

SCALE

1 SET FRAMELESS 6MM THK.
ORDINARY CLEAR GLASS S/P
ON METAL BRACKETS



LEFT SIDE ELEVATION



FRONT ELEVATION



SOCIAL SECURITY SYSTEM

PROJECT TITLE:

PROPOSED GLASS BARRIERS FOR SSS LEMERY

PREPARED BY:

DANA MONICA D. ENOLA V.A. nap
BUILDING ADMINISTRATION, LUZON SOUTH DIV. 2

CHECKED AND REVIEWED BY:

APOLONIA A. TRIA
ACTING HEAD, SSS LEMERY

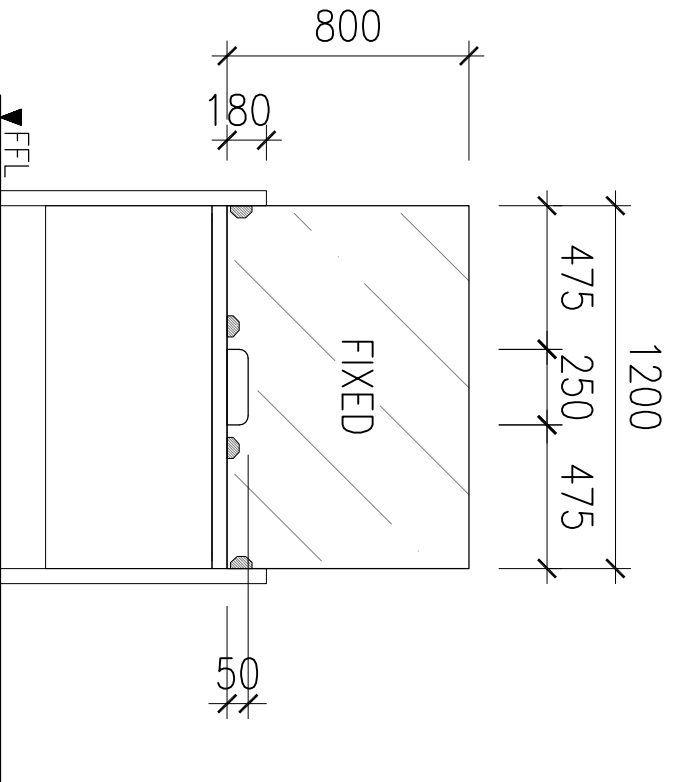
APPROVED BY:

FRANCISCO P.L. LESCANO
ACTING HEAD, LUZON SOUTH DIVISION 2

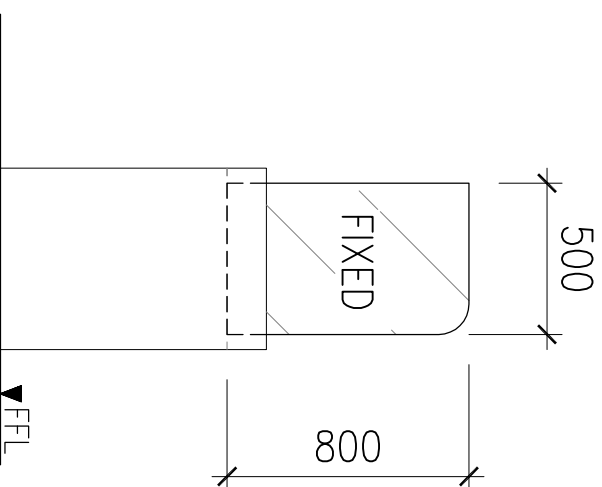
SHEET NO.:

A-7

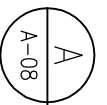
3 SETS FRAMELESS 6MM THK.
ORDINARY CLEAR GLASS S/P ON METAL BRACKETS



FRONT ELEVATION



RIGHT SIDE ELEVATION



NASUGBU SO COUNTERS
SCALE 1 : 25M

 <p>SOCIAL SECURITY SYSTEM</p>	<p>PROJECT TITLE: PROPOSED GLASS BARRIERS FOR SSS LEMERY</p>	<p>PREPARED BY: <i>[Signature]</i> DANA MONICA D. ENOLA V.A. nap BUILDING ADMINISTRATION, LUZON SOUTH DIV. 2</p>	<p>CHECKED AND REVIEWED BY: <i>[Signature]</i> ARLONIA A. TRIA ACTING HEAD, SSS LEMERY</p>	<p>APPROVED BY: <i>[Signature]</i> FRANCISCO P.L. LESCANO ACTING HEAD, LUZON SOUTH DIVISION 2</p>	<p>SHEET NO.: A-8</p>
--	---	---	---	--	----------------------------------