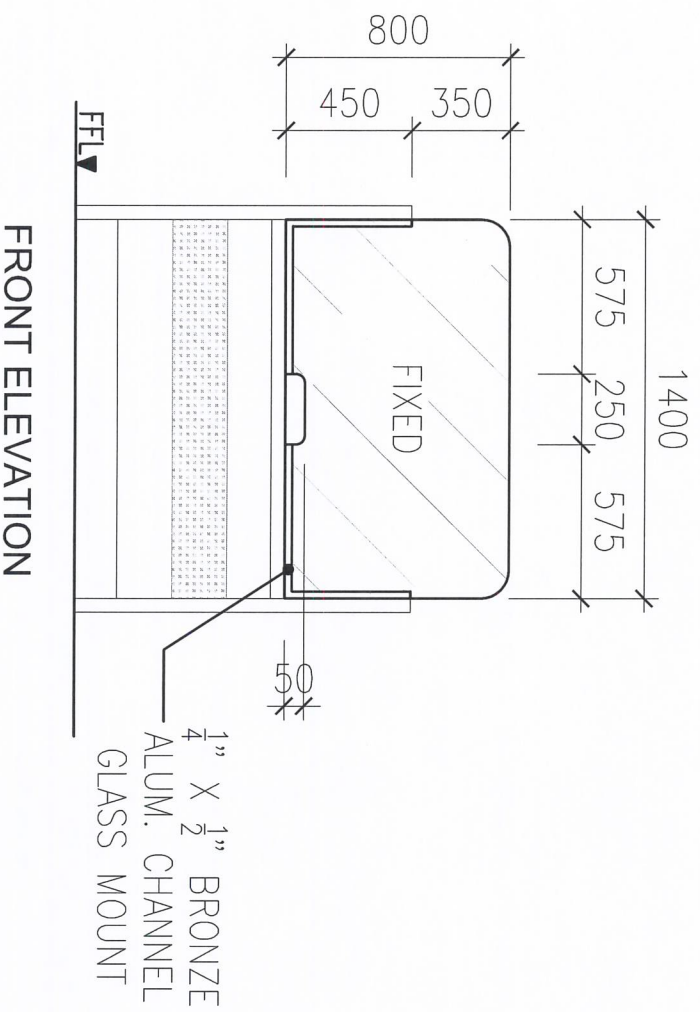


5 SETS SEMI-FRAMED S/P
 6MM THK. ORDINARY CLEAR GLASS



FRONT ELEVATION

A
 A-01
MSS COUNTERS
 SCALE 1 : 25M



SOCIAL SECURITY SYSTEM

PROJECT TITLE:
 PROPOSED GLASS BARRIERS
 FOR SSS SAN JOSE, OCC. MINDORO

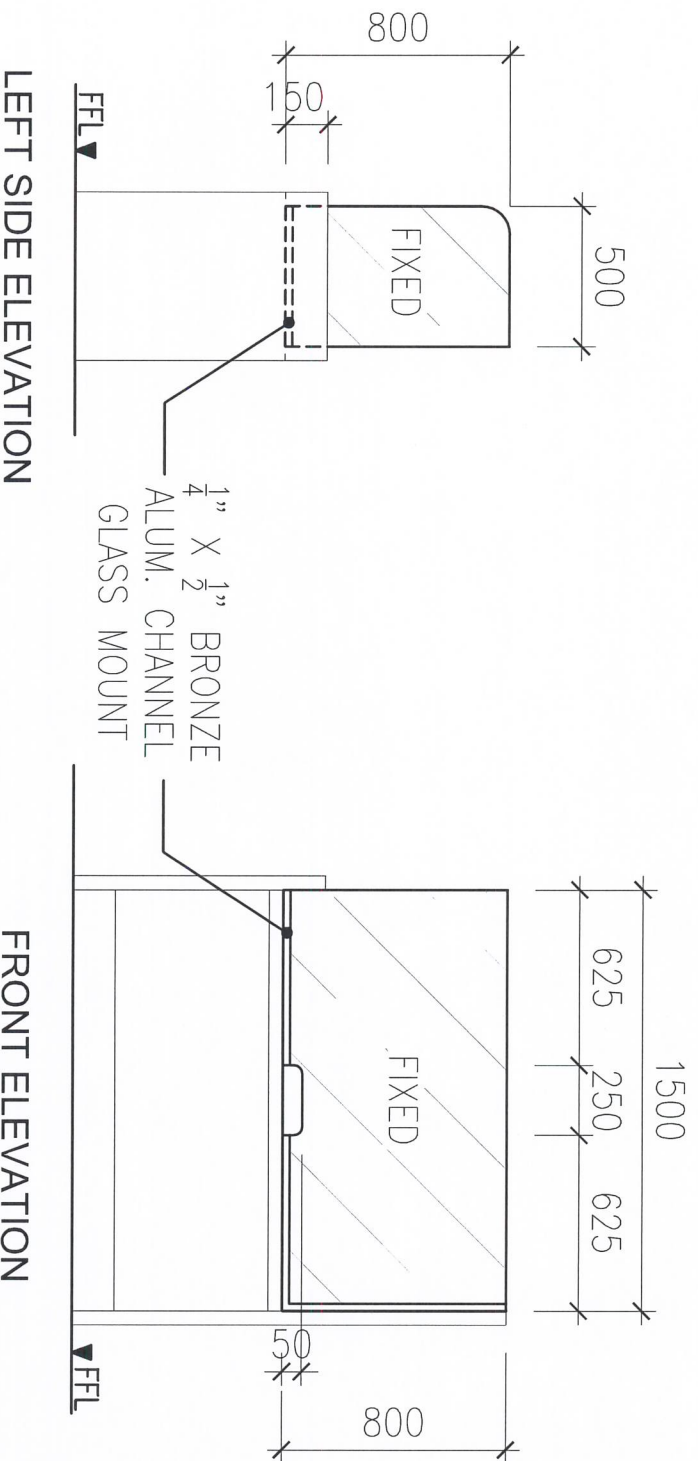
PREPARED BY:
 DANA MONICA D. EYOLVA, Jap
 BUILDING ADMINSTRATOR, LUZON SOUTH DIV. 2

CHECKED AND REVIEWED BY:
 ESMERALDA S. MORIAGA
 ACTING HEAD, SSS SAN JOSE

APPROVED BY:
 FRANCISCO P. L. LESCANO
 ACTING HEAD, LUZON SOUTH DIVISION 2

SHEET NO.:
A-1

2 SETS SEMI-FRAMED S/P
6MM THK. ORDINARY CLEAR GLASS



A MSS & AMS HEADS WORKSTATIONS
SCALE 1 : 25M



SOCIAL SECURITY SYSTEM

PROJECT TITLE:
PROPOSED GLASS BARRIERS FOR SSS SAN JOSE, OCC. MINDORO

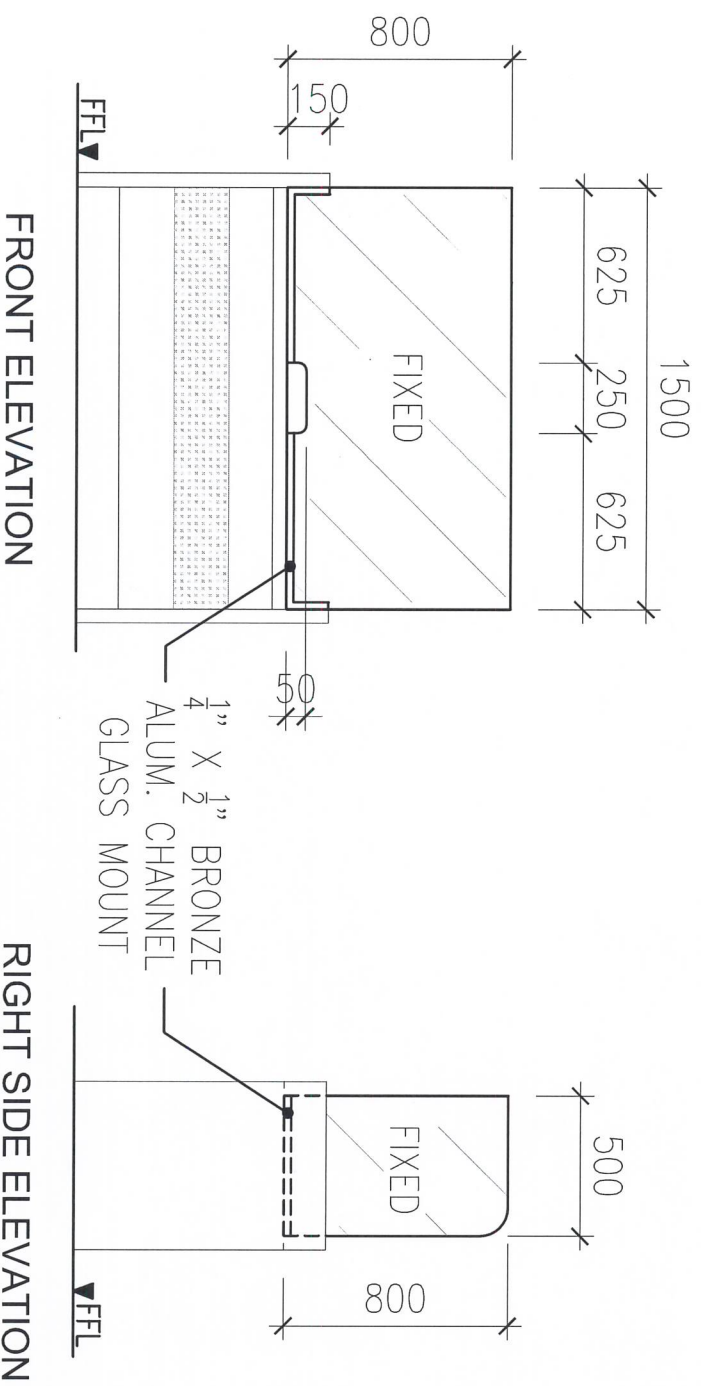
PREPARED BY:
DANA MONICA D. ENOLVA, IAP
BUILDING ADMINISTRATOR, LUZON SOUTH DIV. 2

CHECKED AND REVIEWED BY:
ESMERALDA S. SAURAGA
ACTING HEAD, SSS SAN JOSE


APPROVED BY:
FRANCISCO P.L. LESCANO
ACTING HEAD, LUZON SOUTH DIVISION 2

SHEET NO.:
A-2

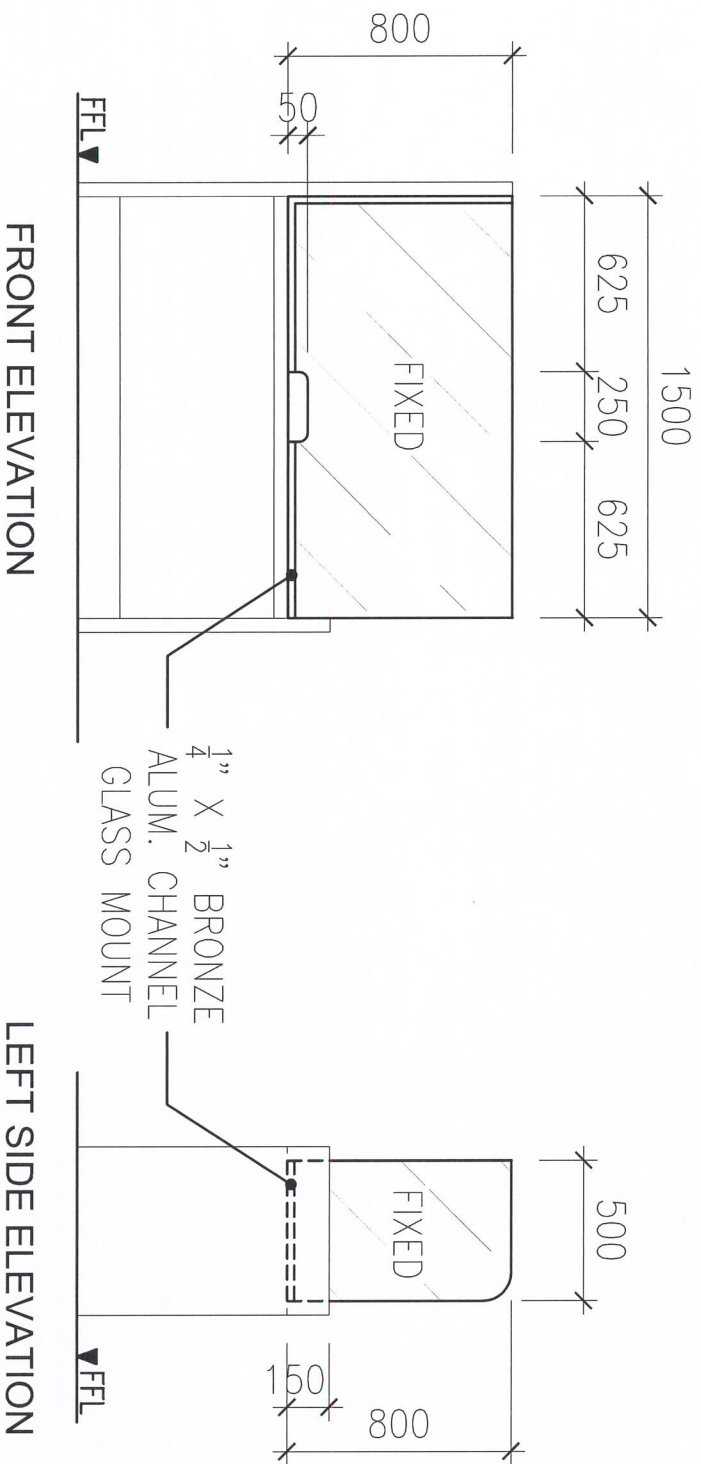
10 SETS SEMI-FRAMED S/P
6MM THK. ORDINARY CLEAR GLASS



A
A-03
AMS & ADMIN WORKSTATIONS
SCALE
1 : 25M

 <p>SOCIAL SECURITY SYSTEM</p>	<p>PROJECT TITLE: PROPOSED GLASS BARRIERS FOR SSS SAN JOSE, OCC. MINDORO</p>	<p>PREPARED BY: DANA MONICA D. ENOLVA, up BUILDING ADMINISTRATOR, LUTZON SOUTH-DIV. 2</p>	<p>CHECKED AND REVIEWED BY: ESMERALDA S. SADRAGA ACTING HEAD, SSS SAN JOSE</p>	<p>APPROVED BY: FRANCISCO P.L. LESCANO ACTING HEAD, LUTZON SOUTH-DIVISION 2</p>	<p>SHEET NO.: A-3</p>
---	--	---	--	---	----------------------------------

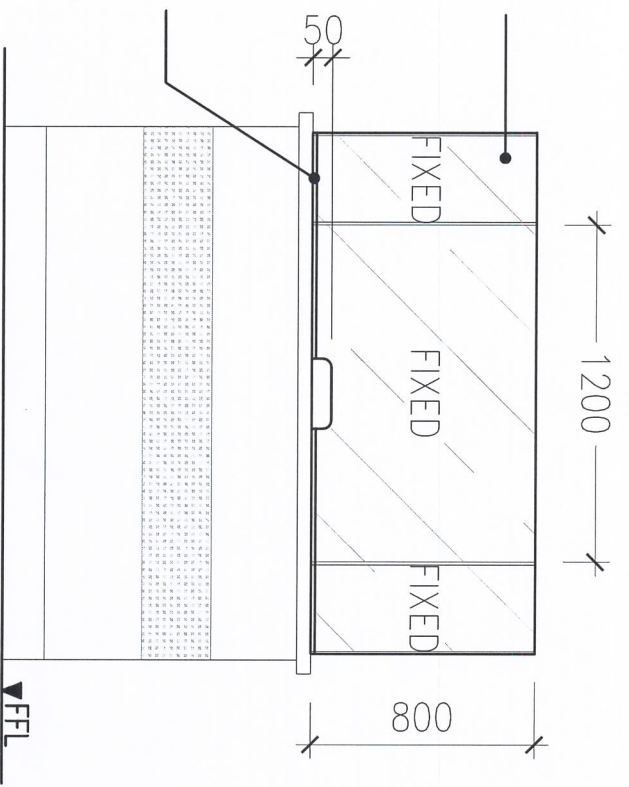
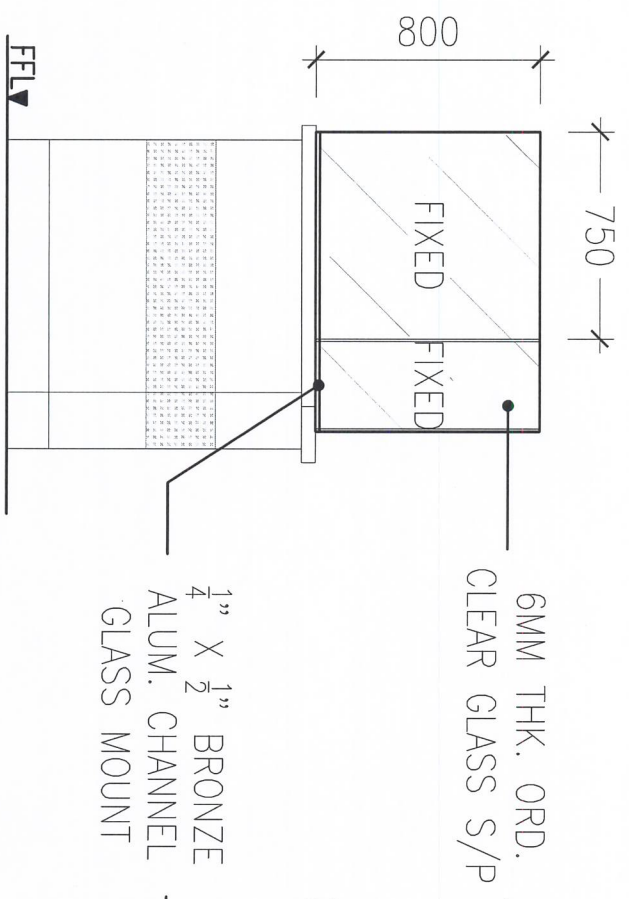
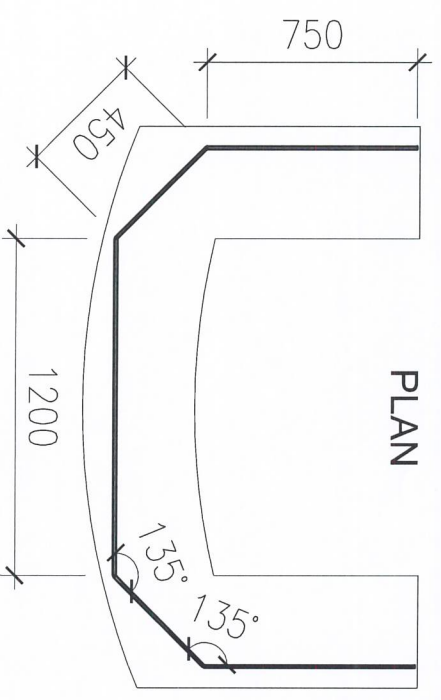
1 SET SEMI-FRAMED S/P
6MM THK. ORDINARY CLEAR GLASS



A
A-04
ADMIN HEAD WORKSTATION
SCALE
1 : 25M

 <p>SOCIAL SECURITY SYSTEM</p>	<p>PROJECT TITLE: PROPOSED GLASS BARRIERS FOR SSS SAN JOSE, OCC. MINDORO</p>	<p>PREPARED BY: DANA MONICA D. ENOLVA, uap BUILDING ADMINISTRATOR, LUZON SOUTH DIV. 2</p>	<p>CHECKED AND REVIEWED BY: ESMERALDA S. ADRIAGA ACTING HEAD, SSS SAN JOSE</p>	<p>APPROVED BY: FRANCISCO P. L. LESCANO ACTING HEAD, LUZON SOUTH DIVISION 2</p>	<p>SHEET NO.: A-4</p>
---	--	---	--	---	----------------------------------

A
A-05
GEN. INFO COUNTER
SCALE
1 : 25M



SOCIAL SECURITY SYSTEM

PROJECT TITLE:
PROPOSED GLASS BARRIERS FOR SSS SAN JOSE, OCC. MINDORO

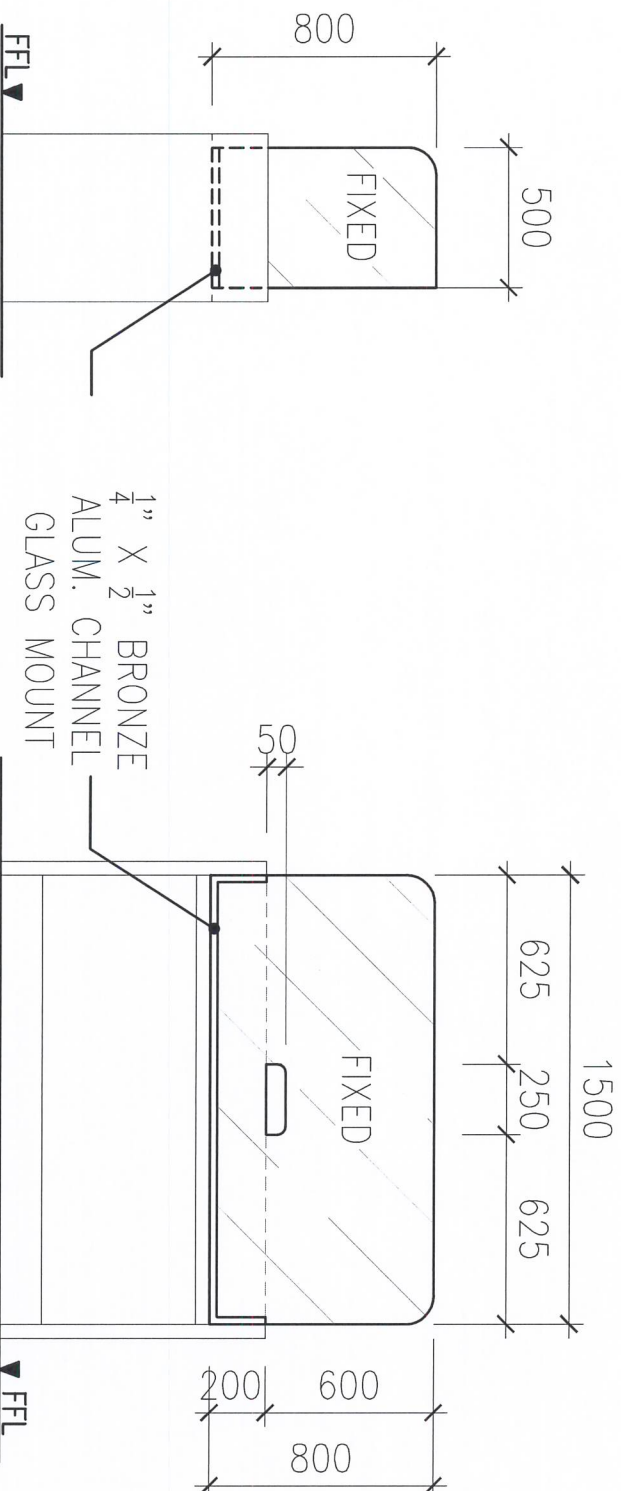
PREPARED BY:
DANA MONICA D. ENOLVA
BUILDING ADMINISTRATOR, LUZON SOUTH DIV. 2

CHECKED AND REVIEWED BY:
ESMERALDA MADRAGA
ACTING HEAD, SSS SAN JOSE

APPROVED BY:
FRANCISCO P. L. LESCANO
ACTING HEAD, LUZON SOUTH DIVISION 2

SHEET NO.:
A-5

2 SETS SEMI-FRAMED S/P
6MM THK. ORDINARY CLEAR GLASS



LEFT SIDE ELEVATION

REAR ELEVATION

A
A-06
SABLAYAN S.O. COUNTERS
SCALE 1 : 25M



SOCIAL SECURITY SYSTEM

PROJECT TITLE:
PROPOSED GLASS BARRIERS
FOR SSS SAN JOSE, OCC. MINDORO

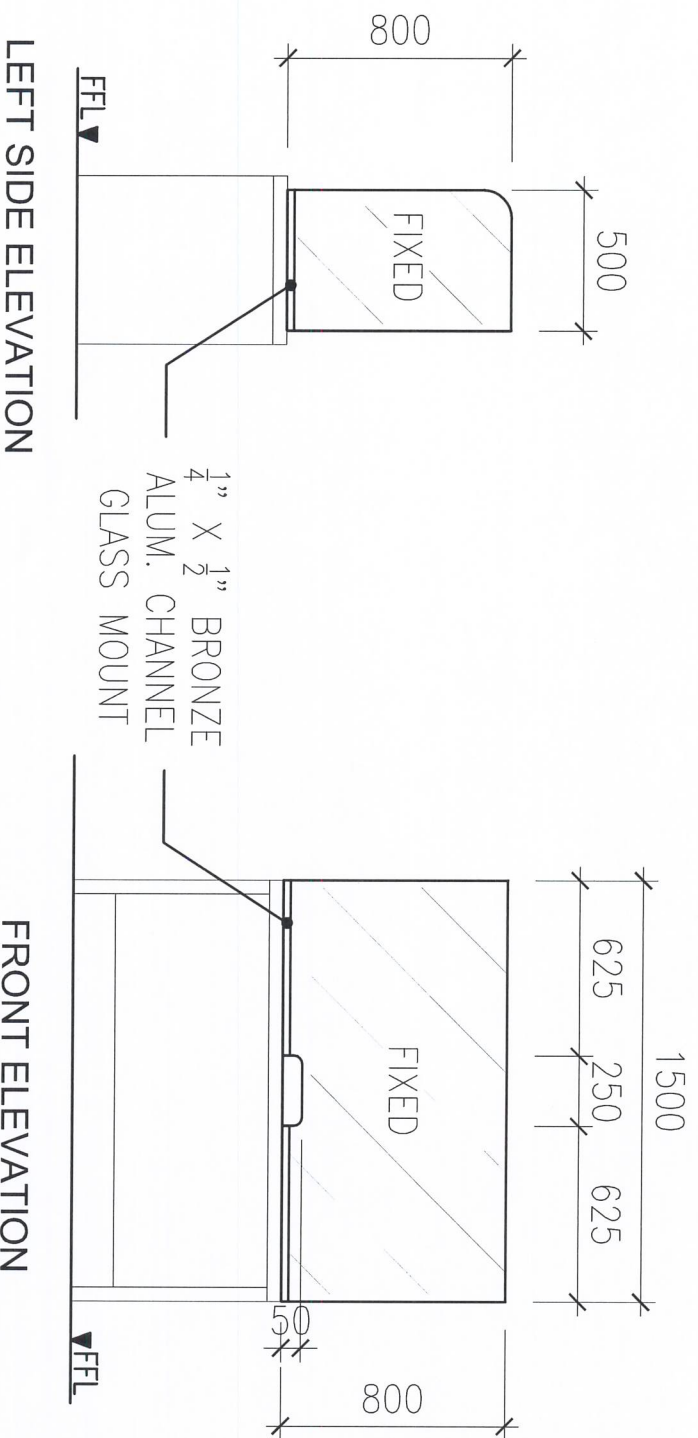
PREPARED BY:
DANA MONICA D. ENOLVA, uap
BUILDING ADMINISTRATOR, LUZON SOUTH DIV. 2

CHECKED AND REVIEWED BY:
ESMERALDA S. MADRAGA
ACTING HEAD, SSS SAN JOSE

APPROVED BY:
FRANCISCO P. L. LESCANO
ACTING HEAD, LUZON SOUTH DIVISION 2

SHEET NO.:
A-6

1 SET SEMI-FRAMED S/P
6MM THK. ORDINARY CLEAR GLASS



A
A-07 SCALE
SABLAYAN S.O. OIC WORKSTATION
1 : 25M



SOCIAL SECURITY SYSTEM

PROJECT TITLE:
PROPOSED GLASS BARRIERS FOR SSS SAN JOSE, OCC. MINDORO

PREPARED BY:
DANA MONICA D. EVOLTA, uap
BUILDING ADMINISTRATOR, LUZON SOUTH DIV. 2

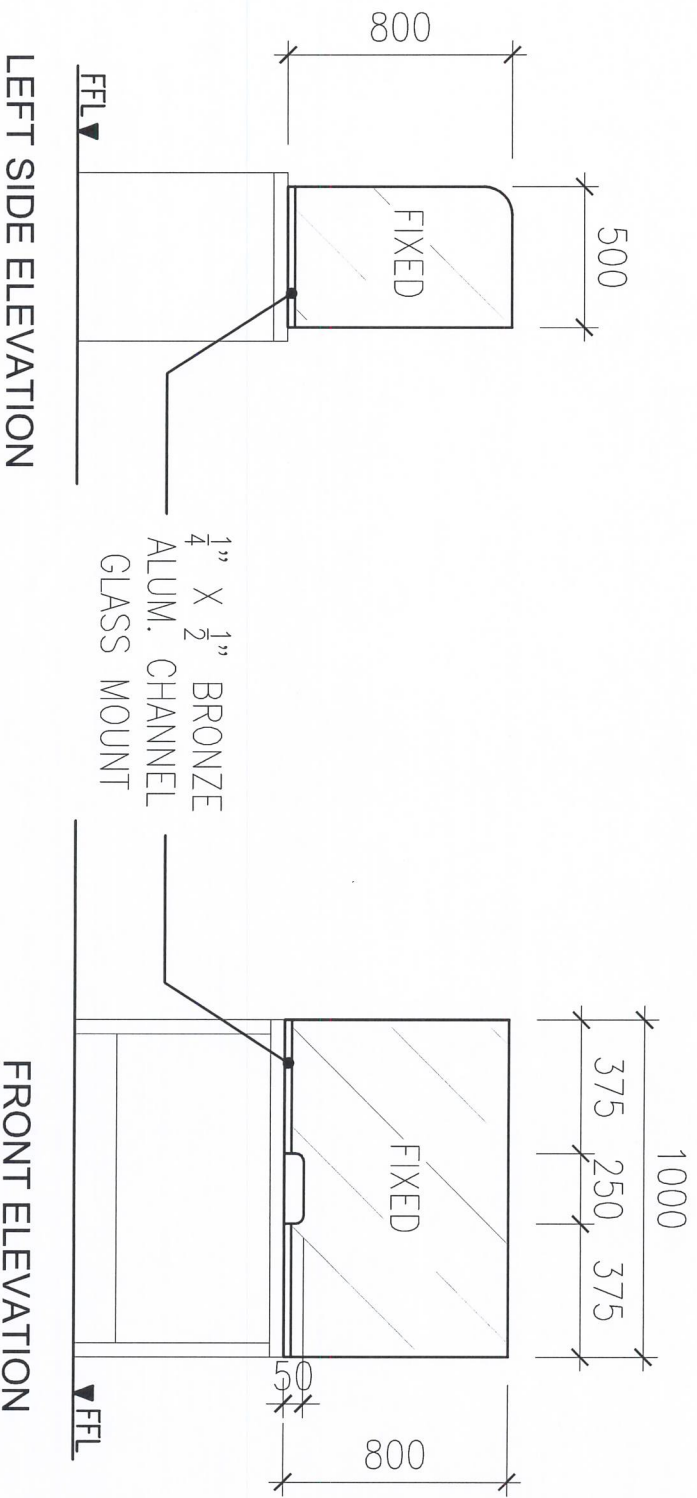
CHECKED AND REVIEWED BY:
ESMERALDA S. MADRAGA
ACTING HEAD, SSS SAN JOSE

APPROVED BY:
FRANCISCO P.L. LESCANO
ACTING HEAD, LUZON SOUTH DIVISION 2

SHEET NO.:

A-7


2 SETS SEMI-FRAMED S/P
6MM THK. ORDINARY CLEAR GLASS



A
A-08
SCALE

MAMBURAO S.O. COUNTERS

1 : 25M

 <p>SOCIAL SECURITY SYSTEM</p>	PROJECT TITLE:	PREPARED BY:	CHECKED AND REVIEWED BY:	APPROVED BY:	SHEET NO.:
	<p>PROPOSED GLASS BARRIERS FOR SSS SAN JOSE, OCC. MINDORO</p>	<p>DANA MONICA D. ENOLVAJAP BUILDING ADMINISTRATOR, LUZON SOUTH DIV. 2</p>	<p>ESMERALDA S. MADRIAGA ACTING HEAD, SSS SAN JOSE</p>	<p>FRANCISCO P.L. LESCANO ACTING HEAD, LUZON SOUTH DIVISION 2</p>	<p>A-8</p>