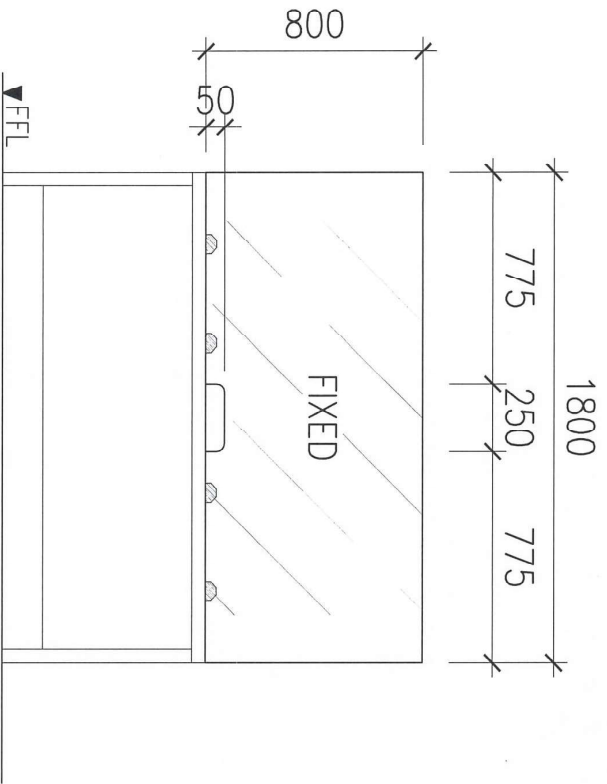
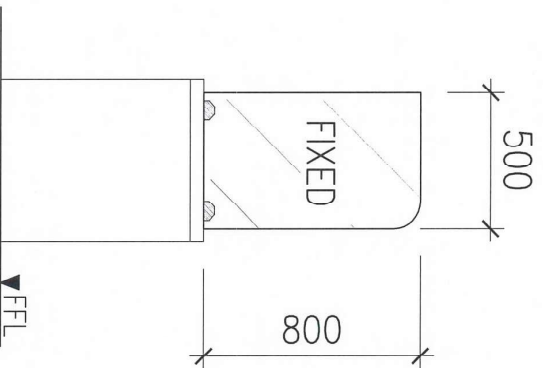


1 SET FRAMELESS 6MM THK.
 ORDINARY CLEAR GLASS S/P ON METAL BRACKETS



FRONT ELEVATION



RIGHT SIDE ELEVATION

A
 A-06a

ABH WORKSTATION

SCALE

1 : 25M



SOCIAL SECURITY SYSTEM

PROJECT TITLE:

PROPOSED GLASS BARRIERS FOR SSS BATANGAS

PREPARED BY:

DANA MONICA P. ENOLVA, uap
 BUILDING ADMINISTRATOR, LUZON SOUTH DIV. 2

CHECKED AND REVIEWED BY:

JESSICA M. AGRAY
 BRANCH HEAD, SSS BATANGAS

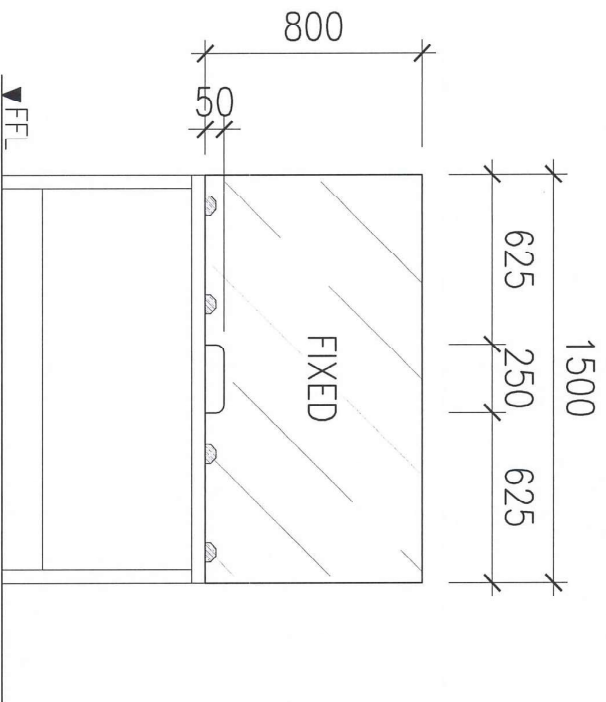
APPROVED BY:

Francisco P. L. Lescano
 Acting Head, Luzon South Division 2

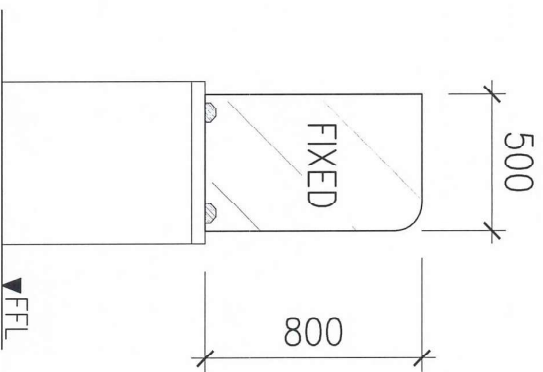
SHEET NO.:

A-6a

4 SETS FRAMELESS 6MM THK.
ORDINARY CLEAR GLASS S/P ON METAL BRACKETS



FRONT ELEVATION



RIGHT SIDE ELEVATION

A
A-06b
SCALE
2/F MSS COUNTERS
1 : 25M



SOCIAL SECURITY SYSTEM

PROJECT TITLE:

PROPOSED GLASS BARRIERS FOR SSS BATANGAS

PREPARED BY:

DANA MONTICA D. ENOLA, V.A., uap
BUILDINGS MANAGEMENT DIVISION 2

CHECKED AND REVIEWED BY:

JESSICA M. AGRAY
BRANCH HEAD, SSS BATANGAS

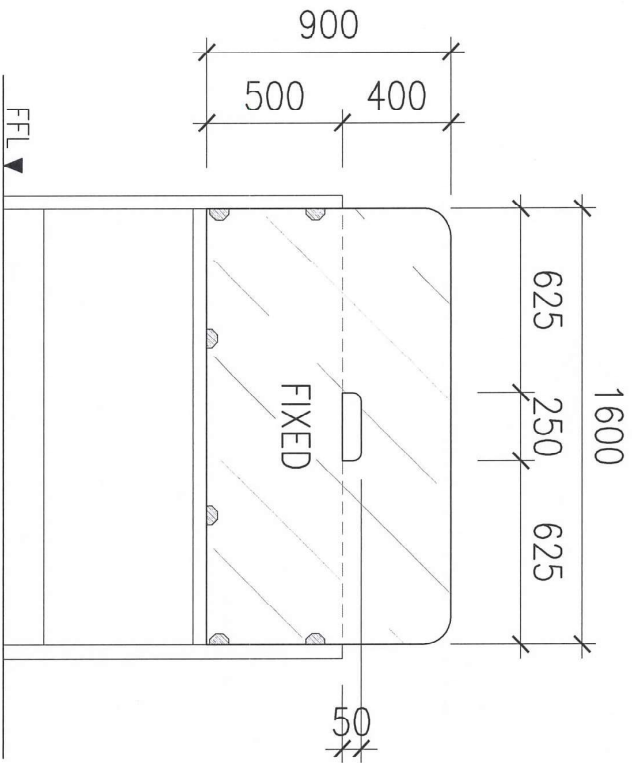
APPROVED BY:

Francisco P. L. Escano
Acting Head, Luzon South Division 2

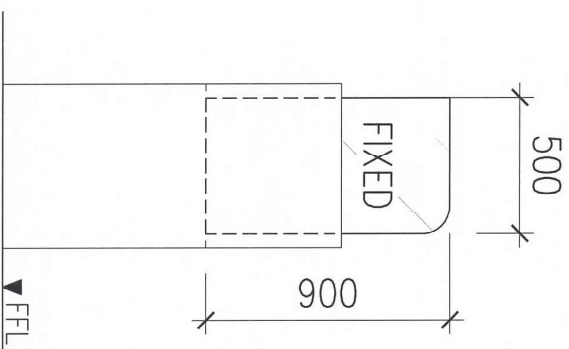
SHEET NO.:

A-6b

1 SET FRAMELESS 6MM THK.
ORDINARY CLEAR GLASS S/P ON METAL BRACKETS



REAR ELEVATION



RIGHT SIDE ELEVATION

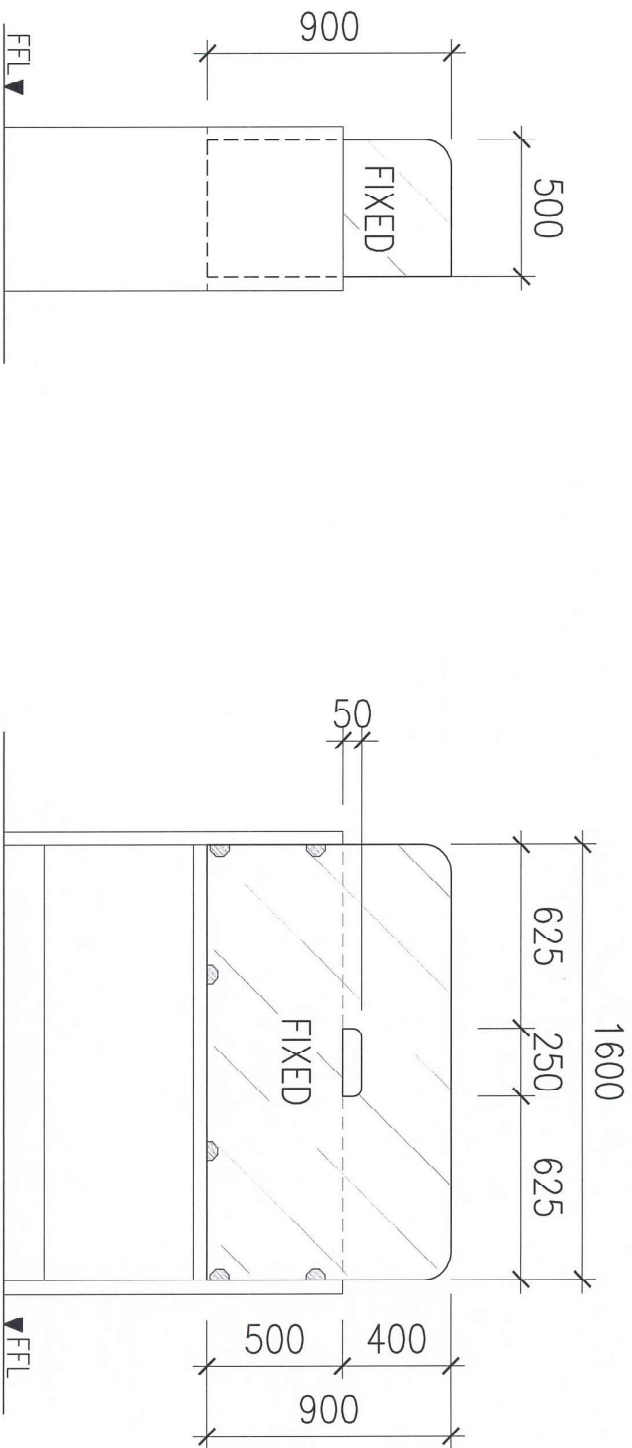
A
A-07
SCALE

TELLERING COUNTER 1

1 : 25M

 <p>SOCIAL SECURITY SYSTEM</p>	<p>PROJECT TITLE:</p> <p>PROPOSED GLASS BARRIERS FOR SSS BATANGAS</p>	<p>PREPARED BY:</p> <p><i>DANA MONICA D. ENOLVA, uap</i> BUILDING ADMINISTRATOR, LUZON SOUTH DIV. 2</p>	<p>CHECKED AND REVIEWED BY:</p> <p><i>JESSICA MAGRAY</i> BRANCH HEAD, SSS BATANGAS</p>	<p>APPROVED BY:</p> <p><i>Francisco P. Lescano</i> Francisco P. Lescano ACTING HEAD, LUZON SOUTH DIVISION 2</p>	<p>SHEET NO. 1</p> <p>A-7</p>
---	--	---	--	---	--------------------------------------

1 SET FRAMELESS 6MM THK.
ORDINARY CLEAR GLASS S/P ON METAL BRACKETS



LEFT SIDE ELEVATION

REAR ELEVATION



TELLERING COUNTER 2

SCALE
1 : 25M



SOCIAL SECURITY SYSTEM

PROJECT TITLE:

PROPOSED GLASS BARRIERS FOR SSS BATANGAS

PREPARED BY:

DANK MONICA D. ENOLA VAP
BUILDING ADMINISTRATOR, LUZON SOUTH DIV. 2

CHECKED AND REVIEWED BY:

JESSICA M. ACBAY
BRANCH HEAD, SSS BATANGAS

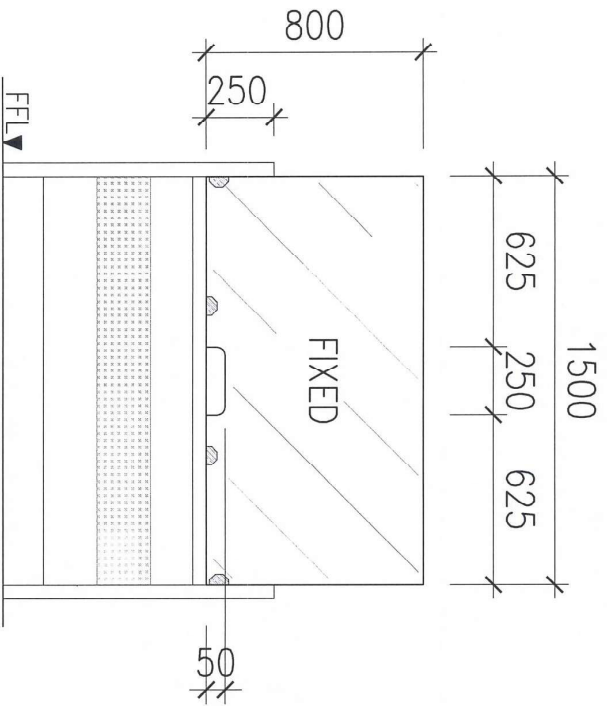
APPROVED BY:

FRANCISCO P. L. ESCANO
ACTING HEAD, LUZON SOUTH DIVISION 2

SHEET NO.:

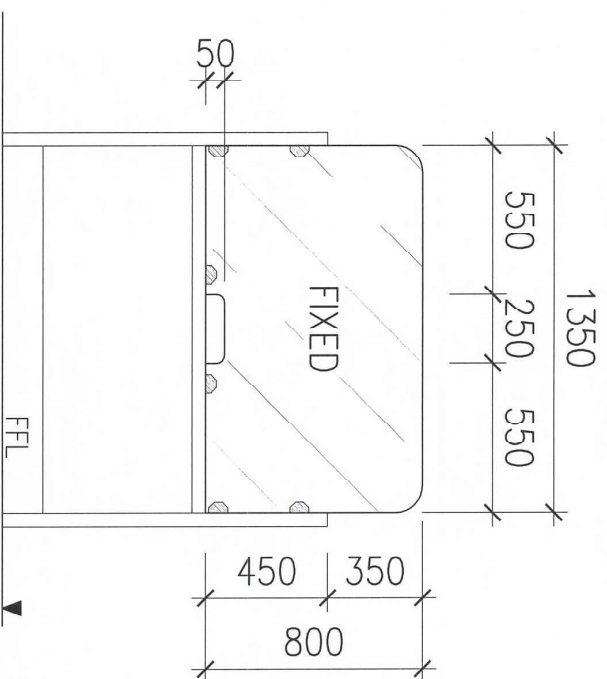
A-8

1 SET FRAMELESS 6MM THK.
ORDINARY CLEAR GLASS S/P
ON METAL BRACKETS



FRONT ELEVATION

2 SETS FRAMELESS 6MM THK.
ORDINARY CLEAR GLASS S/P
ON METAL BRACKETS



FRONT ELEVATION

A
A-09 SCALE 1 : 25M
MSS COUNTER 6

B
A-09 SCALE 1 : 25M
CORPORATE COUNTERS



SOCIAL SECURITY SYSTEM

PROJECT TITLE:

PROPOSED GLASS BARRIERS
FOR SSS BATANGAS

PREPARED BY:

DANA MONICA DJENOLVA UAP
BUILDING ADMINISTRATOR, LUZON SOUTH DIV. 2

CHECKED AND REVIEWED BY:

JESSICA M. AGRAY
BRANCH HEAD, SSS BATANGAS

APPROVED BY:

FRANCISCO P. L. LESCANO
ACTING HEAD, LUZON SOUTH DIVISION 2

SHEET NO.:

A-9